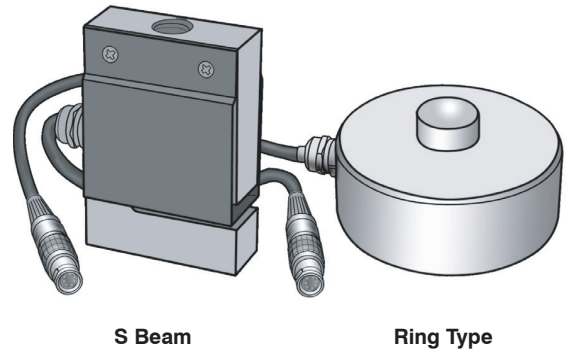
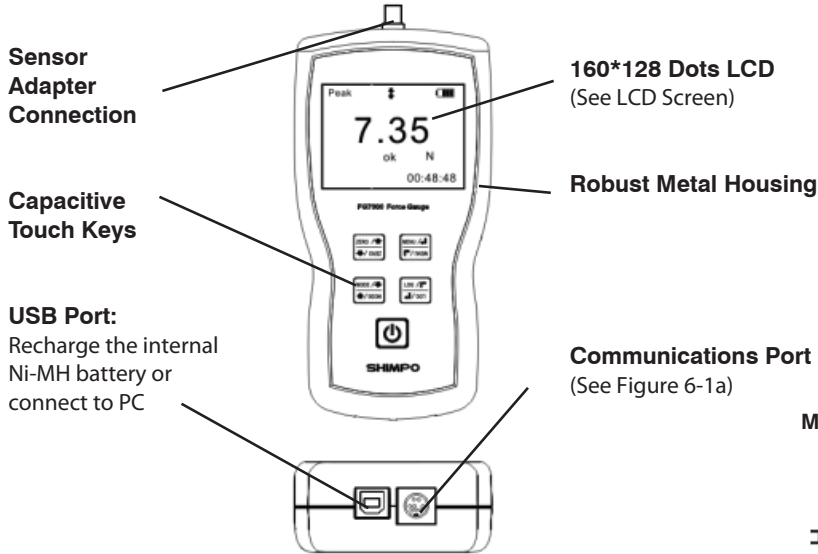
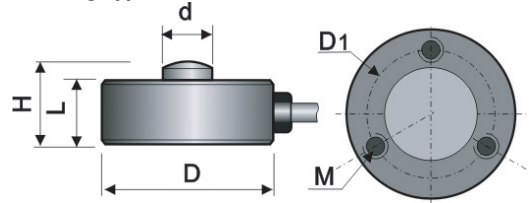


# FG-7000L DIMENSIONS

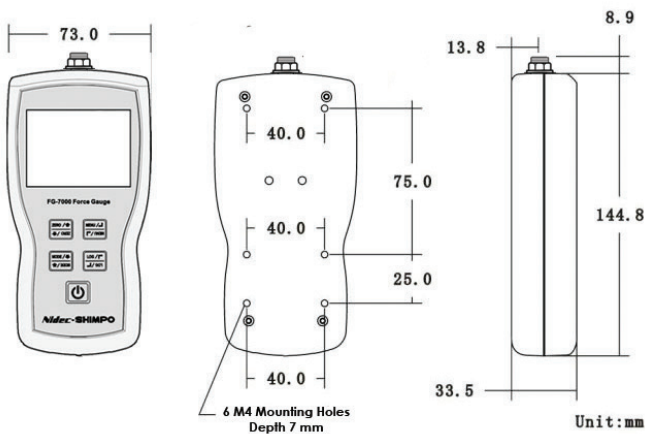
## 7.2 Diagram



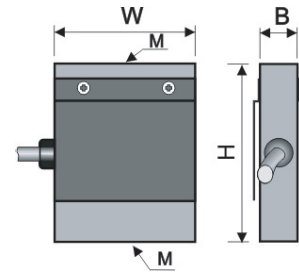
### Mini Ring Type



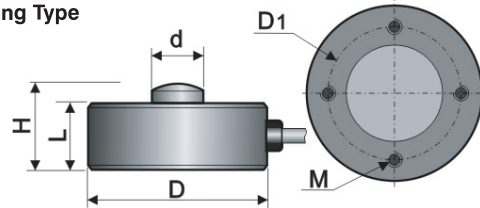
## 7.3 Dimensions



### S-Beam



### Ring Type



### S-Beam Load Cell

Capacity	Dimensions (mm)			
	W	H	B	M
1 kN	51	76.2	19	M12
2 kN				
5 kN				
10 kN			25.4	
20 kN				

### Ring Load Cell

Capacity	Dimensions (mm)					
	D	d	L	H	D1	M
10 kN	82	22	32	44	68	4-M8
20 kN						
50 kN						
100 kN						
200 kN	126	35	40	54	101	4-M10

### Mini Ring Load Cell

Capacity	Dimensions (mm)					
	D	d	L	H	D1	M
1, 5, 10 kN	32	8	14	16	24.5	3-M5
50 kN	38	11	14	16	30	3-M6
100 kN	51	15	22	25	41	4-M10