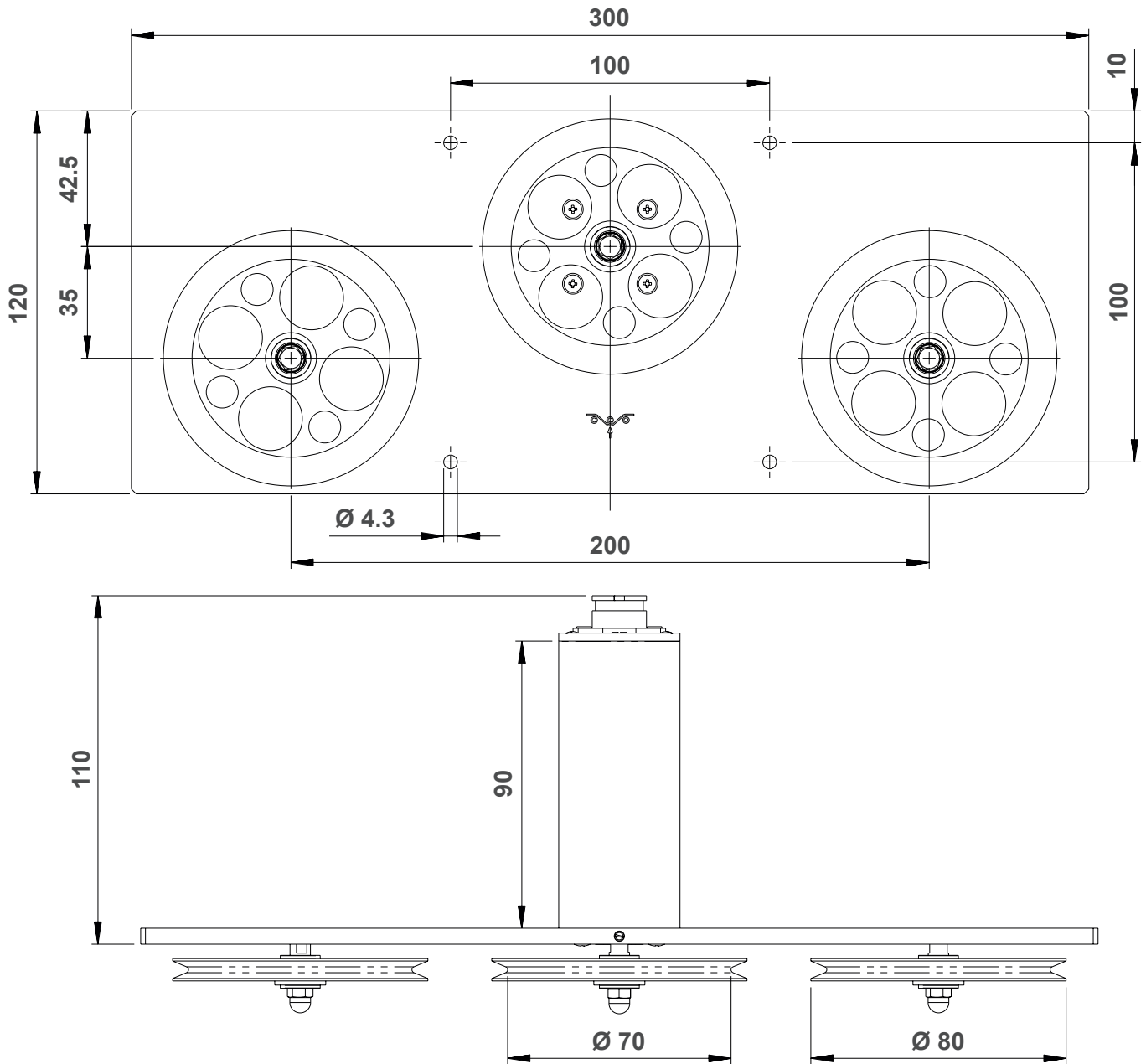
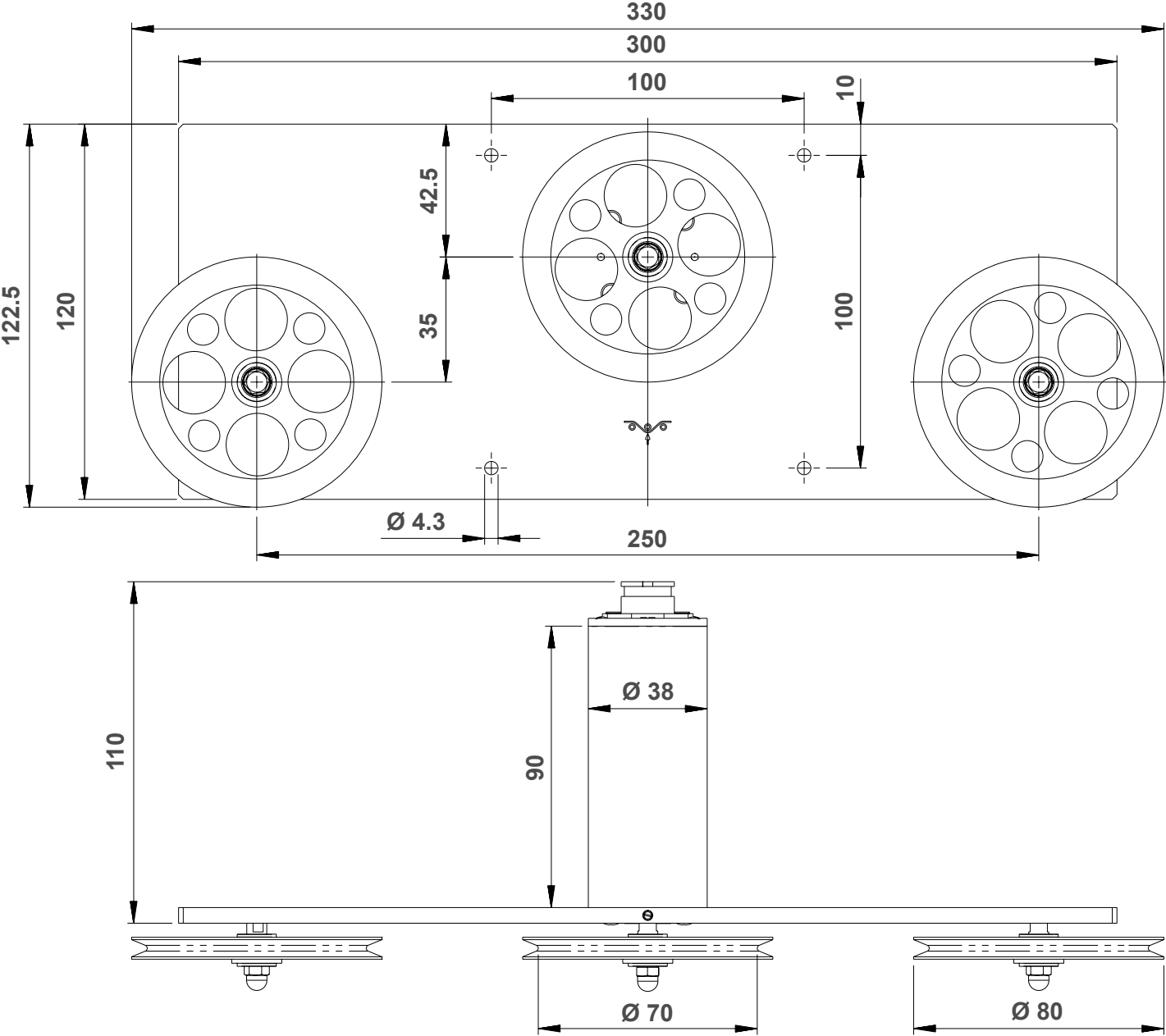


# Models TSF1: 0 - 100 cN up to 0 - 1000 cN



Unit: mm

# Models TSF1: 0 - 2000 cN up to 0 - 10 daN



Unit: mm