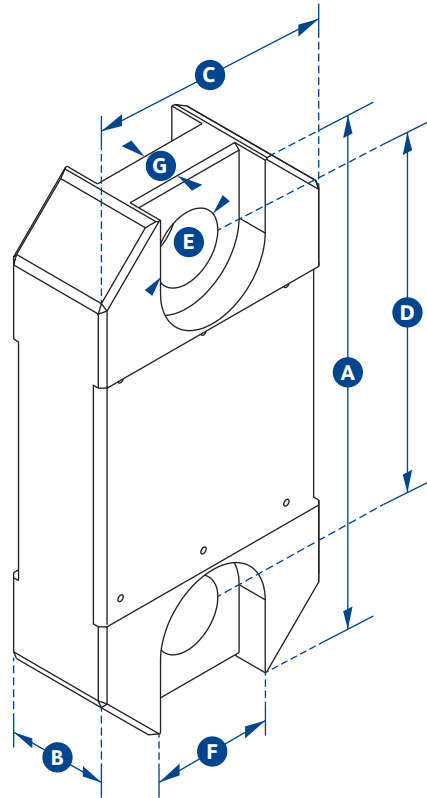


metric specifications



loadlink plus

Part Number	LLP1T	LLP2T5	LLP5T	LLP12T	LLP25T	LLP35T	LLP50T	LLP75T	LLP100T	LLP150T	LLP200T	LLP250T	LLP300T
Capacity	1,000kg	2.5te	5te	12te	25te	35te	50te	75te	100te	150te	200te	250te	300te
Resolution	0.5kg	0.001te	0.001te	0.002te	0.005te	0.005te	0.01te	0.01te	0.05te	0.05te	0.1te	0.1te	0.1te
Units	te, lbs, kg & kN												
Weight	1.4kg	1.4kg	2kg	3.2kg	5kg	8.6kg	11.5kg	16kg	34kg	46kg	72kg	72kg	118kg
Safety Factor	12:1	5:1	5:1	5:1	5:1	5:1	5:1	5:1	5:1	4:1	5:1	4:1	5:1
Battery Type	9v PP3												
Battery Life	80 hours continuous												
Display Type	6 digit 25mm LCD												
Operating Temp	-10°C to +50°C												
Accuracy	± 0.3% of applied load												
Protection	IP65												
Dimension A	204	204	249	305	340	393	424	470	608	670	700	700	806
Dimension B	43	43	43	47	60	75	75	75	99	99	144	144	150
Dimension C	101	101	101	101	115	126	163	202	255	303	320	320	426
Dimension D	146	146	165	193	215	225	230	260	320	360	350	350	350
Dimension E	24.5	24.5	38	47.5	55	60	76	76	109	109	132	132	160
Dimension F	48	48	66	Not available on this capacity									
Dimension G	19	19	32	Not available on this capacity									
Crosby Shackle	G2130						G2140						
Loading Pin Ø	19	19	25	35	51	57	57	70	83	95	121	127	152

CHECK•LINE®—PRECISION QUALITY CONTROL INSTRUMENTS

Electromatic Equipment Co., Inc.
600 Oakland Ave.
Cedarhurst, NY 11516 —USA

Tel: (800) 645-4330 (USA & Canada)
Tel: (516) 295-4300
Fax: (516) 295-4399

Email: info@checkline.com
Website: www.checkline.com

For additional information or to place an order CALL TOLL FREE 1-800-645-4330

Check•Line is a registered trademark of Electromatic Equipment Company Inc.