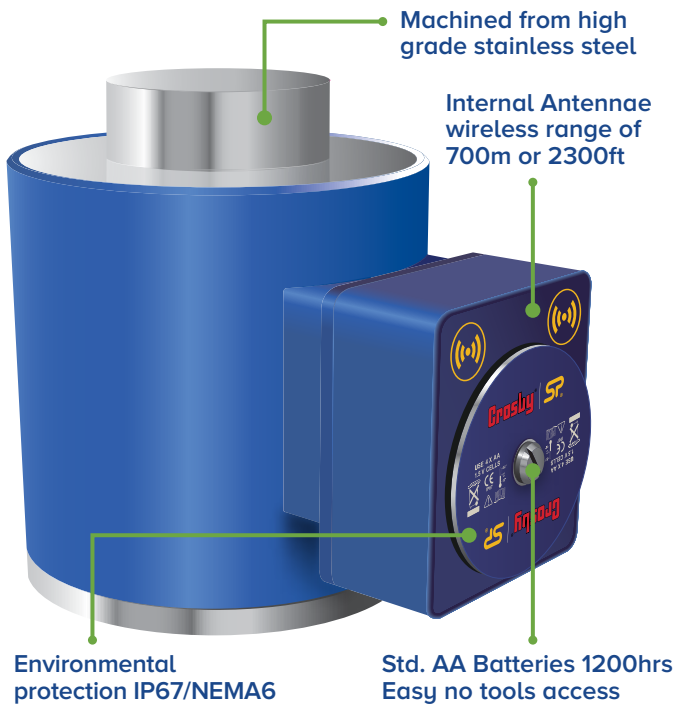


Wireless Compression Load Cell



Features and benefits:

- Proprietary 2.4 GHz wireless
 - Accuracy of 0.1% FS
 - Environmentally sealed to IP67/NEMA6
 - Stocked capacities up to 1000t
 - Industry leading wireless range up to 700m or 2300ft
 - Internal antennae
 - ATEX & IECEx version for hazardous area zones 0, 1 & 2 available
 - Battery life of 1200hrs
 - Compact size
 - Remote on-off
 - Design validated by F.E.A.
-
- Bluetooth option is available and is supplied with a free HHP App for iOS and Android See page 27

The Straightpoint Wireless Compression Load Cell (WNI).

No longer hindered by troublesome and hard to maintain cables, large-scale projects can now be completed in a fraction of the time previously required. Multiple compression load cells can all connect wirelessly to SP's range of PC software via a USB dongle, their iOS and Android app or their SW-HHP wireless handheld display.

Maintenance and repair costs are all but eliminated due to the absence of cables and connectors. The flexibility of the product opens the door to a large number of applications in the heavy lift, energy, defence, rigging, shipping, and general transportation sectors.

Two versions of the WNI are available:

- Long range 2.4GHz version providing industry leading wireless range of 700m or 2300ft to SP's SW-HHP handheld or WCOGS software
- Bluetooth output and can be connected to any smart phone running our free HHP app on iOS or Android, at ranges up to 100m or 328ft.

Connected to Straightpoint's Wireless Centre of Gravity software (WCOGS), the WNI load cell can be used to weigh and

verify centre of gravity of large and heavy objects, which may not be evenly proportioned. The system will report weight on each individual load cell, total weight and C-of-G in an html report based on ISO19901.

Straightpoint's Wireless Compression Load Cells are machined from high grade 17-4PH stainless steel, providing excellent strength and corrosion resistance, which makes them suitable for the most arduous industrial conditions.

Also available with hazardous area approval. Zones 0, 1 & 2



ATEX / IECEX

Ex ia II C T4 Ga

Certification numbers:

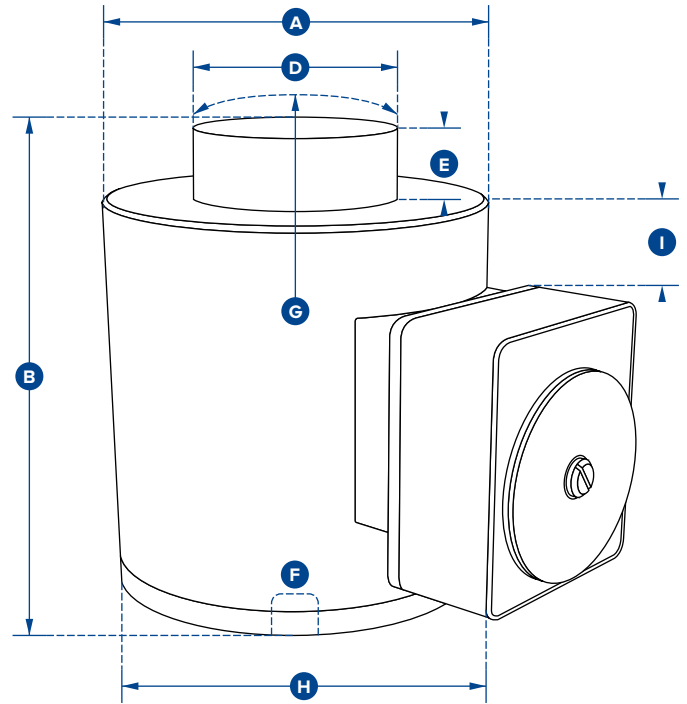
WNI ATEX

IECEX SIR 16.0041X / Sira 16ATEX2108X

SW-HHP ATEX

IECEX SIR 15.0072X / Sira 15ATEX2196X

Add 'ATEX' to the part number when ordering ATEX/IECEX products. For example: WNI5TC-ATEX



| Part Number | WNI5TC | WNI10TC | WNI25TC | WNI50TC | WNI100TC | WNI150TC | WNI300TC | WNI500TC | WNI1000TC |
|----------------|---|-----------|-----------|-----------|-----------|-----------|-----------|-----------|-----------|
| Capacity | 5te | 10te | 25te | 50te | 100te | 150te | 300te | 500te | 1000te |
| | 11000lb | 22000lb | 55000lb | 110000lb | 220000lb | 330000 | 660000lb | 1100000lb | 2200000lb |
| Resolution | 0.001te | 0.002te | 0.005te | 0.01te | 0.05te | 0.05te | 0.1te | 0.2te | 0.5te |
| | 2lb | 5lb | 10lb | 20lb | 100lb | 100lb | 200lb | 500lb | 1000lb |
| Units | tonne | | | | | | | | |
| | lb | | | | | | | | |
| Weight | 6.2kg | 6.2kg | 6.2kg | 6.2kg | 15.5kg | 15.5kg | 65kg | 65kg | 172kg |
| | 13.64lb | 13.64lb | 13.64lb | 13.64lb | 34lb | 34lb | 143lb | 143lb | 379lb |
| Safety Factor | 3:1 | | | | | | | | |
| Battery Type | Load cell 4 x AA Alkaline | | | | | | | | |
| Battery Life | Load cell 1,200 hours continuous (500hrs if Bluetooth) | | | | | | | | |
| Operating Temp | -10°C to +50°C / 14°F to 122°F | | | | | | | | |
| Accuracy | ±0.1% of full scale | | | | | | | | |
| Frequency | 2.4 GHz | | | | | | | | |
| System Range | 700 metres / 2300 feet (100 metres / 328 feet if Bluetooth) | | | | | | | | |
| Data Rate | 3Hz (configurable to 200Hz) | | | | | | | | |
| Protection | IP67/NEMA6 | | | | | | | | |
| Dimension ØA | 102 | 102 | 102 | 102 | 152 | 152 | 185 | 185 | 362 |
| | 4.02" | 4.02" | 4.02" | 4.02" | 5.98" | 5.98" | 7.28" | 7.28" | 14.25" |
| Dimension B | 127 | 127 | 127 | 127 | 184 | 184 | 300 | 300 | 310 |
| | 5.00" | 5.00" | 5.00" | 5.00" | 7.24" | 7.24" | 11.81" | 11.81" | 12.20" |
| Dimension ØD | 59 | 59 | 59 | 59 | 80 | 80 | 155 | 155 | 270 |
| | 2.32" | 2.32" | 2.32" | 2.32" | 3.15" | 3.15" | 6.10" | 6.10" | 10.63" |
| Dimension E | 16 | 16 | 16 | 16 | 26 | 26 | 27.5 | 27.5 | 40 |
| | 0.63" | 0.63" | 0.63" | 0.51" | 1.02" | 1.02" | 1.08" | 1.08" | 1.57" |
| Dimension F | M18 x 2.5 | M18 x 2.5 | M18 x 2.5 | M20 x 2.5 | M20 x 2.5 | M20 x 2.5 | M20 x 2.5 | M20 x 2.5 | M30 x 3.5 |
| | M18 x 2.5 | M18 x 2.5 | M18 x 2.5 | M20 x 2.5 | M20 x 2.5 | M20 x 2.5 | M20 x 2.5 | M20 x 2.5 | M30 x 3.5 |
| Dimension G | 152 | 152 | 152 | 152 | 432 | 432 | 432 | 432 | 950 |
| | 5.98" | 5.98" | 5.98" | 5.98" | 17.01" | 17.01" | 17.01" | 17.01" | 37.40" |
| Dimension H | 158 | 158 | 158 | 158 | 208 | 208 | 241 | 241 | 422 |
| | 6.22" | 6.22" | 6.22" | 6.22" | 8.19" | 8.19" | 9.49" | 9.49" | 16.61" |
| Dimension I | 8 | 8 | 8 | 8 | 33 | 33 | 49 | 49 | 102 |
| | 0.31" | 0.31" | 0.31" | 0.31" | 1.30" | 1.30" | 1.93" | 1.93" | 4.02" |