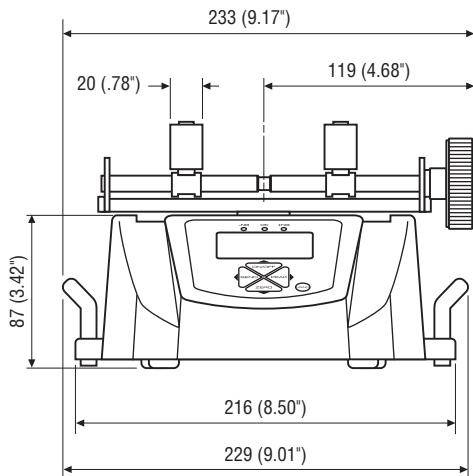
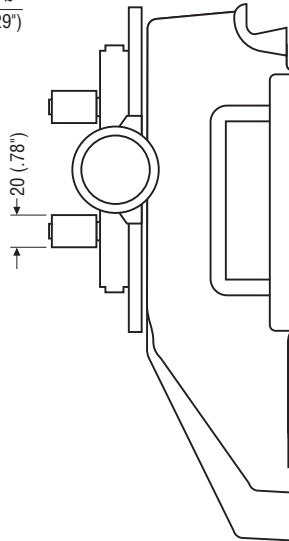
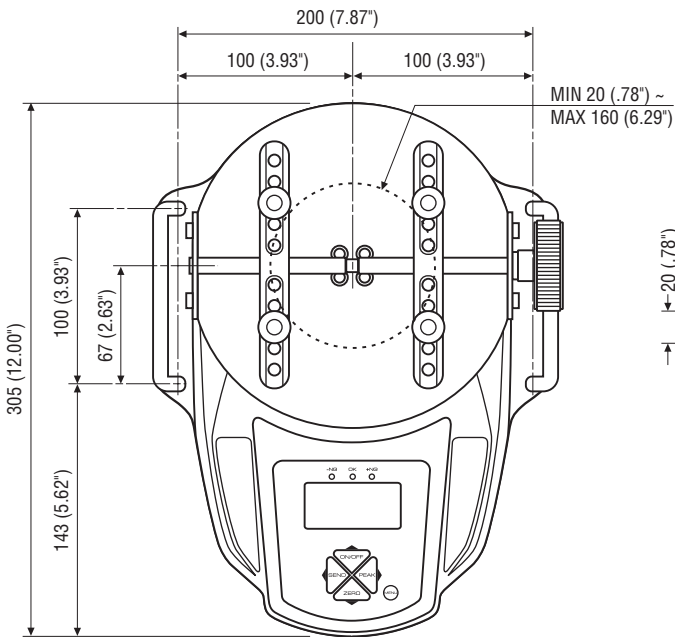
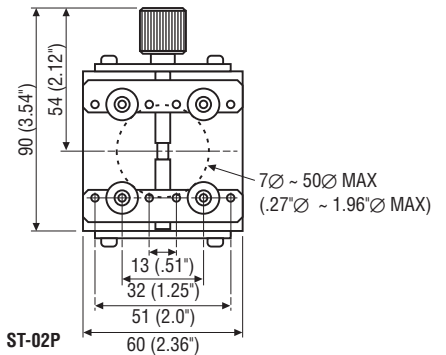
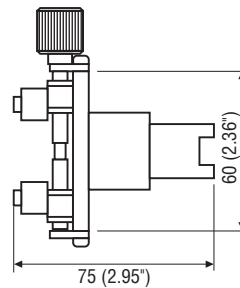


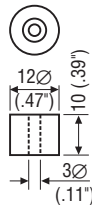
## Model DTXS / DTXA



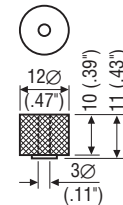
## Optional Small Table DT-ST



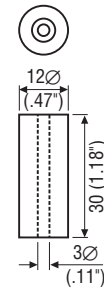
ST-P



ST-01P



ST-02P



**CHECK·LINE®**—PRECISION QUALITY CONTROL INSTRUMENTS

**Electromatic Equipment Co., Inc.**  
600 Oakland Ave.  
Cedarhurst, NY 11516 —USA

**Tel:** (800) 645-4330 (USA & Canada)  
**Tel:** (516) 295-4300  
**Fax:** (516) 295-4399

**Email:** info@checkline.com  
**Website:** www.checkline.com

**For additional information or to place an order CALL TOLL FREE 1-800-645-4330**

Check·Line is a registered trademark of Electromatic Equipment Company Inc.