

# ROTARY PULSE GENERATOR

MODEL RE2B-30C

## Description:

The Shimpo RE2B-30C is a quadrature rotary pulse generator which produces two outputs that exhibit a quadrature relationship to one another. A zero position output is also available to mark the reference position of the shaft.

## Specifications:

Resolution: 30 pulses per revolution

Maximum Speed: 5000 rpm

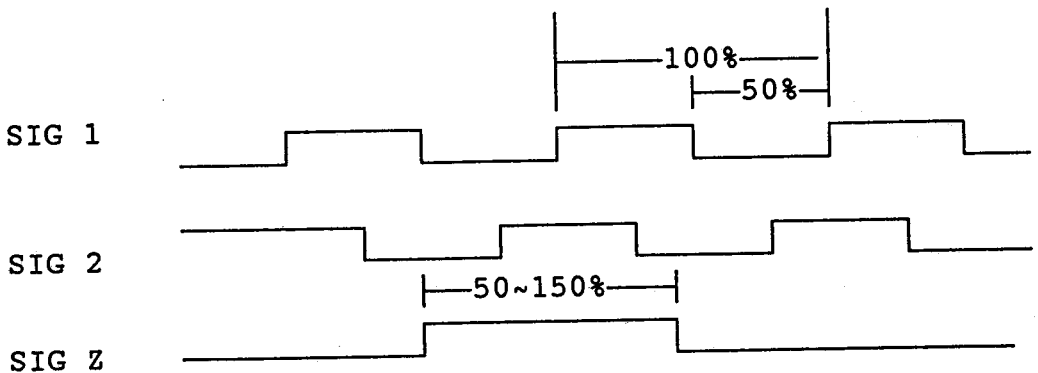
Power Supply: 4.75~30VDC, 60mA (max.)

Output Signal: logic "1"... Supply Voltage minus 2.5V or more, 10mA (max.)  
logic "0"... less than 0.4V, 30mA (max.)

Duty Cycle: 50% ( $\pm 25\%$ )

Quadrature Output Phase:  $90^\circ$  ( $\pm 45^\circ$ )

Zero Signal Width: 50~150% of the signal cycle.



Shaft Torque: 0.41 oz-in. (30g-cm) max.

Shaft Allowable Load: Overhung load: 11 lbs. (5Kg)  
Thrust load: 6.6 lbs. (3Kg)

Cable Length: 10 feet

Operation Temperature:  $14^\circ$ - $122^\circ$ F ( $-10^\circ$ C -  $50^\circ$ C) non-condensing