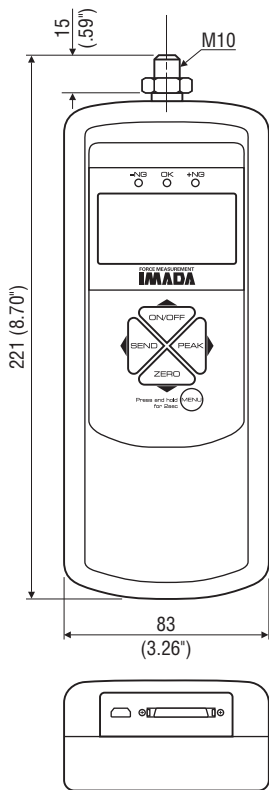
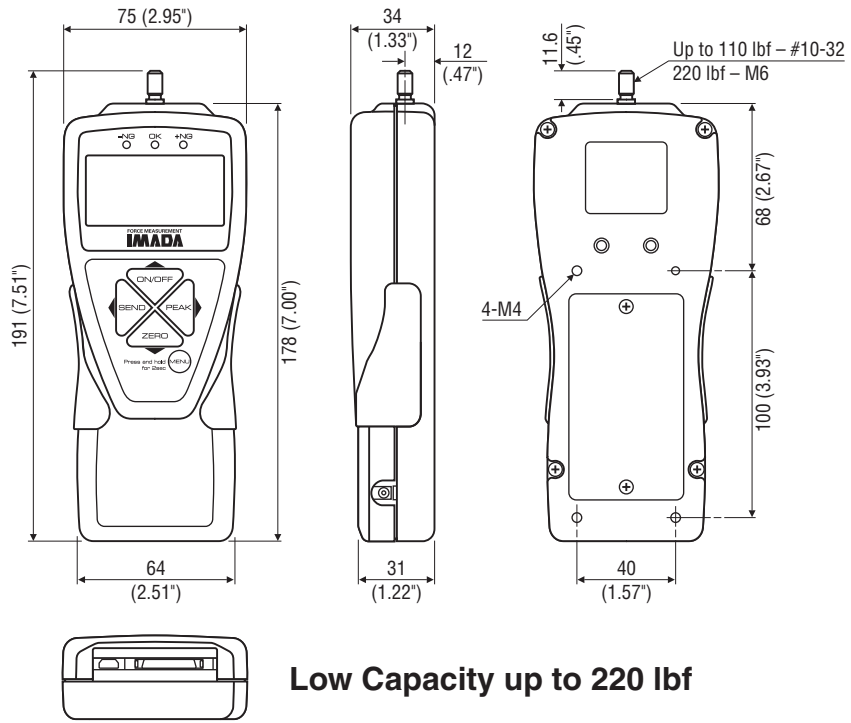
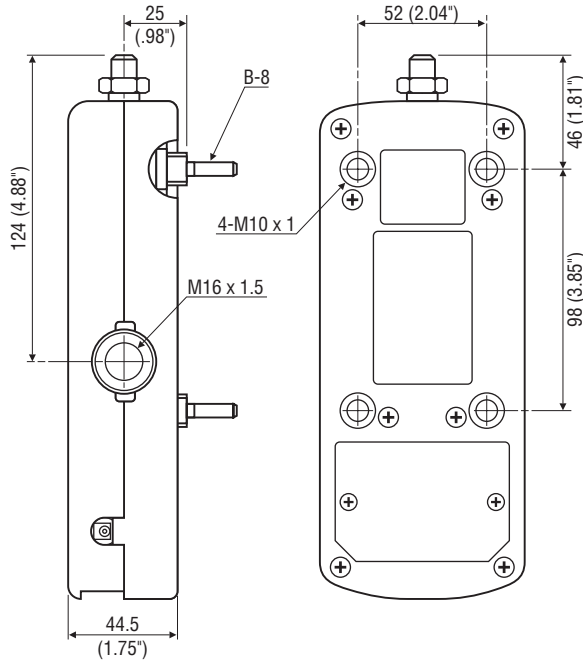


# Models: ZTS/ZTA



**High Capacity 550 and 1,100 lbf**



**High Capacity with handles**

