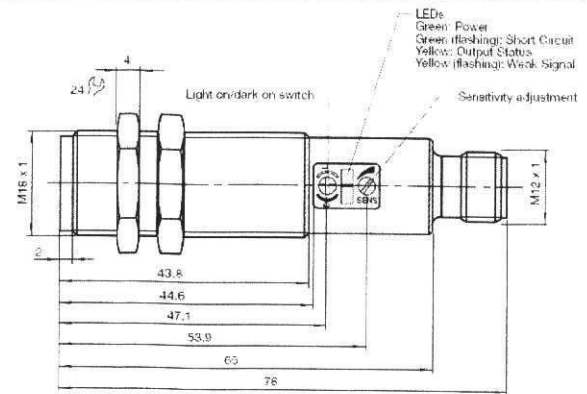


### LS-S50MLR 18 mm Cylindrical Laser Sensor



#### LS-S50MLR 18 mm Cylindrical Laser Sensor

- Visible Red Light Source
- Rugged Metal Housing
- NPN or PNP Connection
- Mounting accessories and cable included

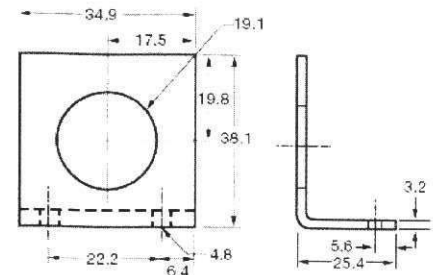


### Specifications

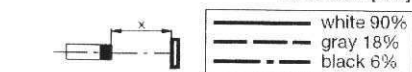
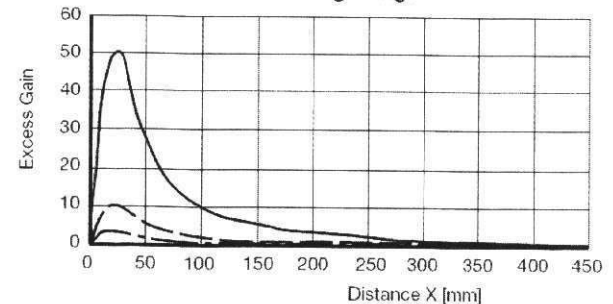
<b>Sensing Range</b>	25-400 mm
<b>Sensing Head</b>	Straight
<b>Output</b>	NPN normally Open NPN normally Closed PNP normally Open PNP normally Closed
<b>Load Current</b>	200 mA max
<b>Voltage Drop</b>	<= 2.5VDC
<b>Short Circuit and Overload Protection</b>	Yes
<b>Reverse Polarity Protection</b>	Yes
<b>Supply Voltage</b>	10-30 VDC
<b>Voltage Ripple</b>	10%
<b>LED Indicators</b>	Yes (2)
<b>Current Consumption</b>	<=30 mA
<b>Operating Mode</b>	Light on/ Dark On
<b>Response Time</b>	<=1.0ms
<b>Switching Frequency</b>	500 Hz
<b>Standards EN 60947-5-2</b>	
<b>Protection (IEC)</b>	IP67
<b>Light Spot Size</b>	~0.5mm at range of 170mm
<b>Ambient Light Resistance</b>	<=30,000 Lux
<b>Working Temperature</b>	-13 F to 158 F
<b>Storage Temperature</b>	-22 F to 158 F
<b>Housing Material</b>	Nickel-plated Brass
<b>Weight</b>	2.1 oz
<b>Light Source</b>	Visible Red Laser 660 nm
<b>Electrical Connection</b>	Quick Disconnect

### Right Angle Mounting Bracket

Dimensions in mm

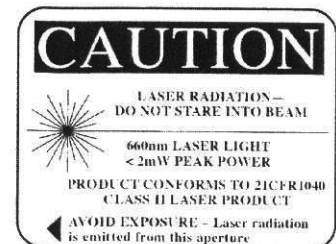


### Excess Gain vs. Sensing Range



### Connection

<b>Black</b>	<b>Signal</b>
<b>Brown</b>	<b>10VDC~30VDC</b>
<b>Blue</b>	<b>0V</b>



### Includes

Part Number	Description
CABLE-LS-S50MLR	6.5 Feet of Black cable with quick disconnect connector
TAPE	Reflective Tape
VT18-8 -400	Sensor mounting bracket Right Angle