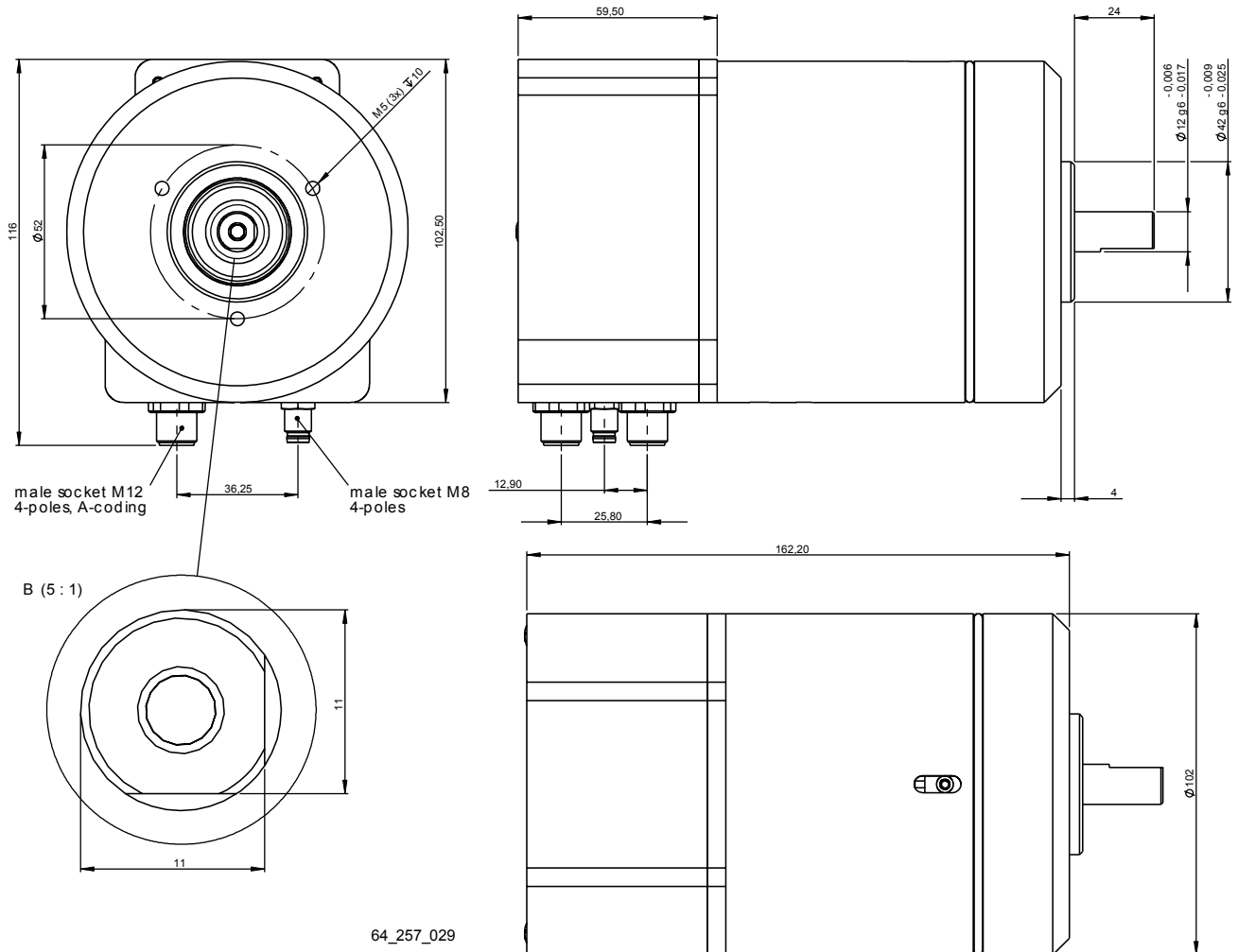


Dimensions



64_257_029

All dimensions in mm

Brake moment

Nominal brake moment [Nm]	Adjustment range [Nm]
1,5	approx. 0,15 ... 1,5

Non-standard nominal brake moments upon request

Order code

	CTA	3	- 1,5	- S
Type				
Construction size				
Nominal brake moment [Nm]				
Connection type	S: Connectors			

Scope of supply

Hysteresis brake

CTA

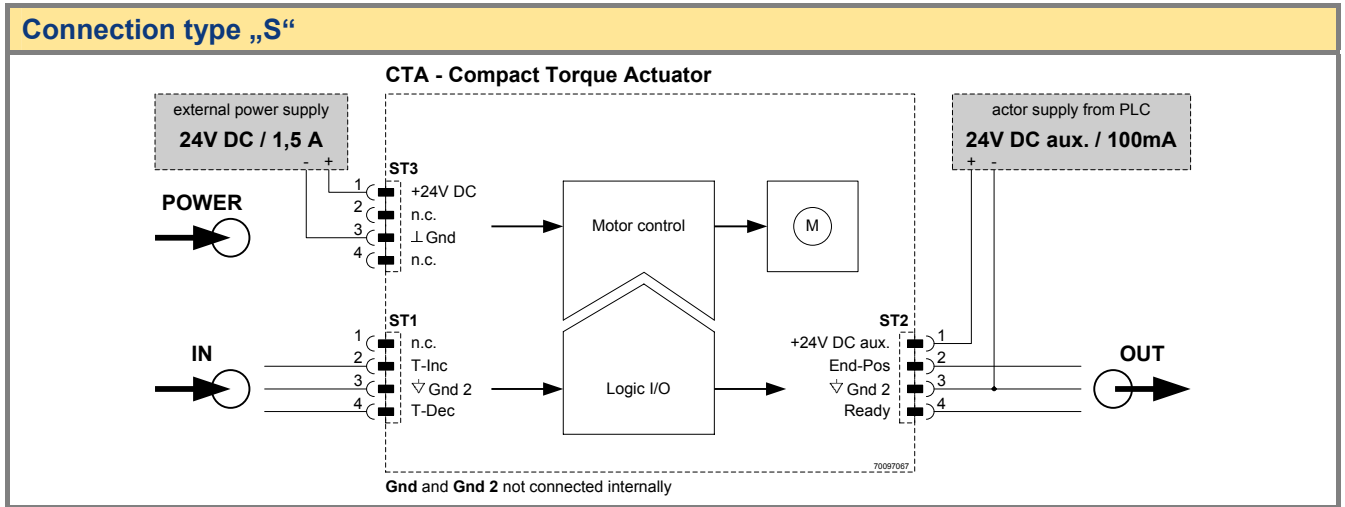
Compact Torque Actuator

Hysteresis brake, electrically adjustable

Technical data

Nominal brake moment	Nm	1,5
Brake moment min.	Nm	approx. 0,15
max. admissible rotation speed	1/min	100
Braking power max.	W	15
Mass moment of inertia	kgcm²	2
Bearing load radial max.	N	50
Bearing load axial max.	N	150
Digital Inputs		
- Input voltage High	V	20 to 27
- Input voltage Low	V	0 to 0,8
- Input impedance typ.	kΩ	1,4
- Input current at 24V DC typ.	mA	17
Digital outputs		
- Output voltage High typ.	V	23
- Output current max.	mA	10
Adjustment speed	Nm/s	approx. 0,1
Supply voltage	V DC	24 ± 10%
Current consumption on standby typ.	mA	60
Current consumption on adjustment typ.	A	1
Auxiliary supply voltage for digital outputs	V	24 ± 10%
Current consumption max.	mA	90
Rated temperature range	°C	0 to 50
Operational temperature range	°C	-10 to 60
Storage temperature range	°C	-20 to 60
Weight	kg	2,8
Protection class		IP 54

Block diagram



Digital I/O

INPUTS	Name	Description
	T-Inc	Increment brake moment On HIGH level the brake moment is increased until the maximum brake moment (End-Pos 1) is reached.
	T-Dec	Decrement brake moment On HIGH level the brake moment is decreased until the minimum brake moment (End-Pos 2) is reached.

OUTPUTS	Name	Description
	Ready	Ready for operation The brake is electrically ready for operation.
	End-Pos	One end position reached The brake moment can only be adjusted in the other direction.

CTA

Compact Torque Actuator

Hysteresis brake, electrically adjustable

Connections

Connection type „S“			
	Assignment	Conductor coloring	Connector specification
POWER 	1: +24V DC 2: n.c. 3: ⊥ Gnd 4: n.c.	1: brown 2: white 3: blue 4: black	Male socket M8, 4 pole
IN 	1: n.c. 2: T-Inc 3: ∇ Gnd 2 4: T-Dec	1: brown 2: white 3: blue 4: black	Male socket M12, 4 pole, A-coding
OUT 	1: +24V DC aux. 2: End-Pos 3: ∇ Gnd 2 4: Ready	1: brown 2: white 3: blue 4: black	Male socket M12, 4 pole, A-coding

Technical design subject to change without prior notice. © 2010 by Honigmann

Honigmann Industrielle Elektronik GmbH • Krebsstraße 2-8 • D-42289 Wuppertal • ☎ +49-202-622026 • 📠 +49-202-63568