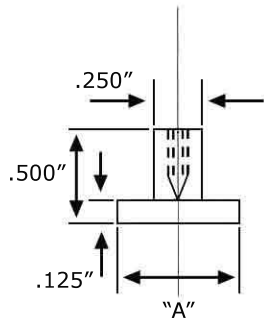


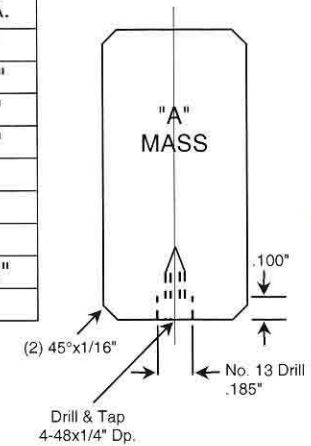
PRESSER FOOT	"A" Dim. (mm)
PF-1	10.0
PF-2	8.0
PF-3	6.3
PF-4	6.0
PF-5	5.0
PF-6	4.0
PF-7	3.2
PF-8	16.0
PF-9	25.0



**DESCRIPTION: PRESSER FOOT**  
**PART NO: DETAIL MTG-01**

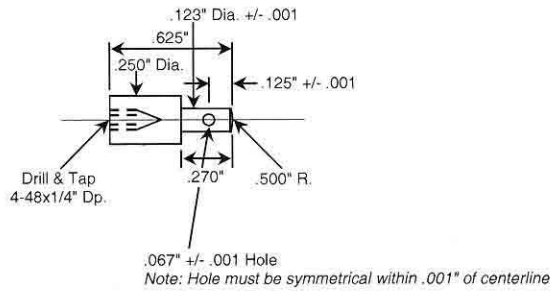
REV.	DESCRIPTION	DATE	APPD.
1	C. Bore on "A" Mass	03/03/09	JC

DETAIL MTG-03	"A" MASS (GRAMS)	BLANK SIZE APPROX. DIA.
-1	176	1 1/2x7/8"
-2	113	1 1/2x.550"
-3	70	7/8x1.150"
-4	63	7/8x1.150"
-5	44	7/8x.700"
-6	28	7/8x.400"
-7	18	7/8x.300"
-8	452	1 1/2x2 1/4"
-9	1104	2x2 3/8"



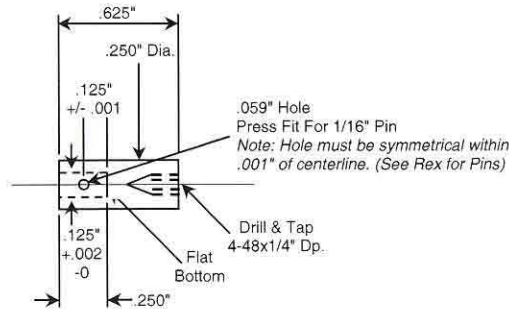
**DESCRIPTION: WEIGHTS FOR ABOVE 35 IRHD**  
**PART NO: DETAIL MTG-03**

Swivel Connector Top



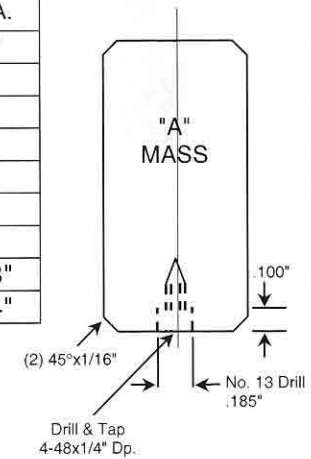
NOTE: BREAK ALL SHARP EDGES UNLESS OTHERWISE SPECIFIED

Swivel Connector Bottom



**DESCRIPTION: SWIVEL CONNECTOR**  
**PART NO: DETAIL MTG-02**

DETAIL MTG-04	"A" MASS (GRAMS)	BLANK SIZE APPROX. DIA.
-1	80	7/8x1 1/4"
-2	52	7/8x3/4"
-3	32	7/8x.450"
-4	29	7/8x.400"
-5	20	7/8x.300"
-6	13	7/8x3/8"
-7	8	3/8x1/2"
-8	212	1 1/2x1 1/8"
-9	518	1 1/2x2 1/4"



**DESCRIPTION: WEIGHTS FOR BELOW 35 IRHD**  
**PART NO: DETAIL MTG-04**

TOL. NOT SPEC.  
XXX ± .005  
.XX ± .010  
FRAC. ± 1/64

MATERIAL  
S.S.  
FINISH  
COSMETIC PART

DRAWN: JC  
CHECKED: AL  
REV LEVEL: 1  
DATE: 01/22/09

SCALE: 1-1

# THICKNESS GAUGE COMPONENTS

USED ON: MTG GAUGE

DRAWING NO. MTG-01,02,03,04