

Special designs

- nominal forces differing from standard
- sensor housing and measuring cell made out of stainless steel, for use in humid environment
- advanced temperature range

Accessories

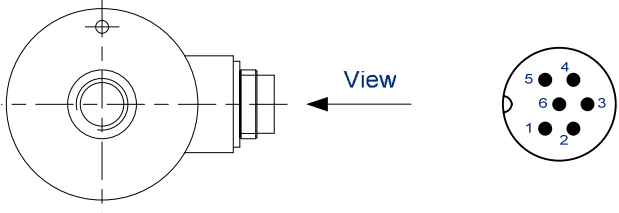
- female cable connector as mating plug
- connection cable (female cable connector / open ends)
- connection cable (female cable connector / male cable connector)
- connection terminal 2/1

Technical data

| | | |
|---------------------------------|------------------------|---|
| Rated measuring ranges (FN) | N | 0...100; 0...300; 0...600; 0...1200; 0...2000 |
| Rated output | mV/V | 0,7 |
| Rated output tolerance | % | < ±0,2 |
| Accuracy class | | 0,2 |
| Accumulated error | % F_N | < ±0,2 |
| Excitation voltage max. | V | 12 |
| Reference excitation voltage | V | 4,5 |
| Input resistance | Ω | 350 ±3 |
| Output resistance | Ω | 350 ±2 |
| Isolation resistance | GΩ | > 5 |
| Nominal temperature range | °C | 0...50 |
| Operational temperature range | °C | -10...70 |
| Storage temperature range | °C | -30...90 |
| Reference temperature | °C | 23 |
| Temperature influence per 10 K | | |
| - on the zero point (TK0) | % F_N | < ±0,1 |
| - on the calibration (TKC) | % F_N | < ±0,2 |
| Creep after 30 minutes | % F_N | < ±0,1 |
| Relative reversal error | % F_N | < ±0,2 |
| Service load | % F_N | 300 |
| Ultimate load | % F_N | 400 |
| Breaking load | % F_N | > 500 |
| Ultimate side load | % F_N | 300 |
| Dynamic load limit (DIN 50100) | % F_N | 50 |
| Axial torsional moment limit | Nm | 35 |
| Deflection at nominal force | mm | < 0,04 |
| Natural frequency of the sensor | kHz | > 2 |
| Weight | g | ca. 450 |
| Surface protection | | black-finished |
| Protection class | | IP 54 |

Connections

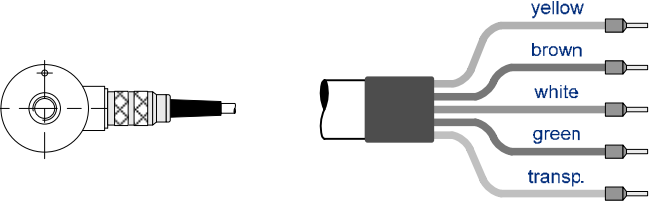
Male socket



| | | |
|---|--------------------|------------|
| 1 | + U _{Br} | Excitation |
| 2 | - U _{Br} | |
| 3 | Pin not connected | |
| 4 | + U _{Sig} | Output |
| 5 | - U _{Sig} | |
| 6 | Reserved | |

68274001

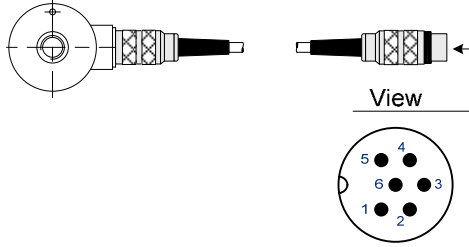
Connection cable (female cable connector / open ends)



| | | |
|---------|--------------------------------------|------------|
| yellow | + U _{Br} | Excitation |
| brown | - U _{Br} | |
| white | + U _{Sig} | Output |
| green | - U _{Sig} | |
| transp. | Shield (not connected to housing) | |

69147002

Connection cable (female cable connector / male cable connector)



| | | |
|---|--------------------------------------|------------|
| 1 | + U _{Br} | Excitation |
| 2 | - U _{Br} | |
| 3 | Shield (not connected to housing) | |
| 4 | + U _{Sig} | Output |
| 5 | - U _{Sig} | |
| 6 | Reserved | |

69147001