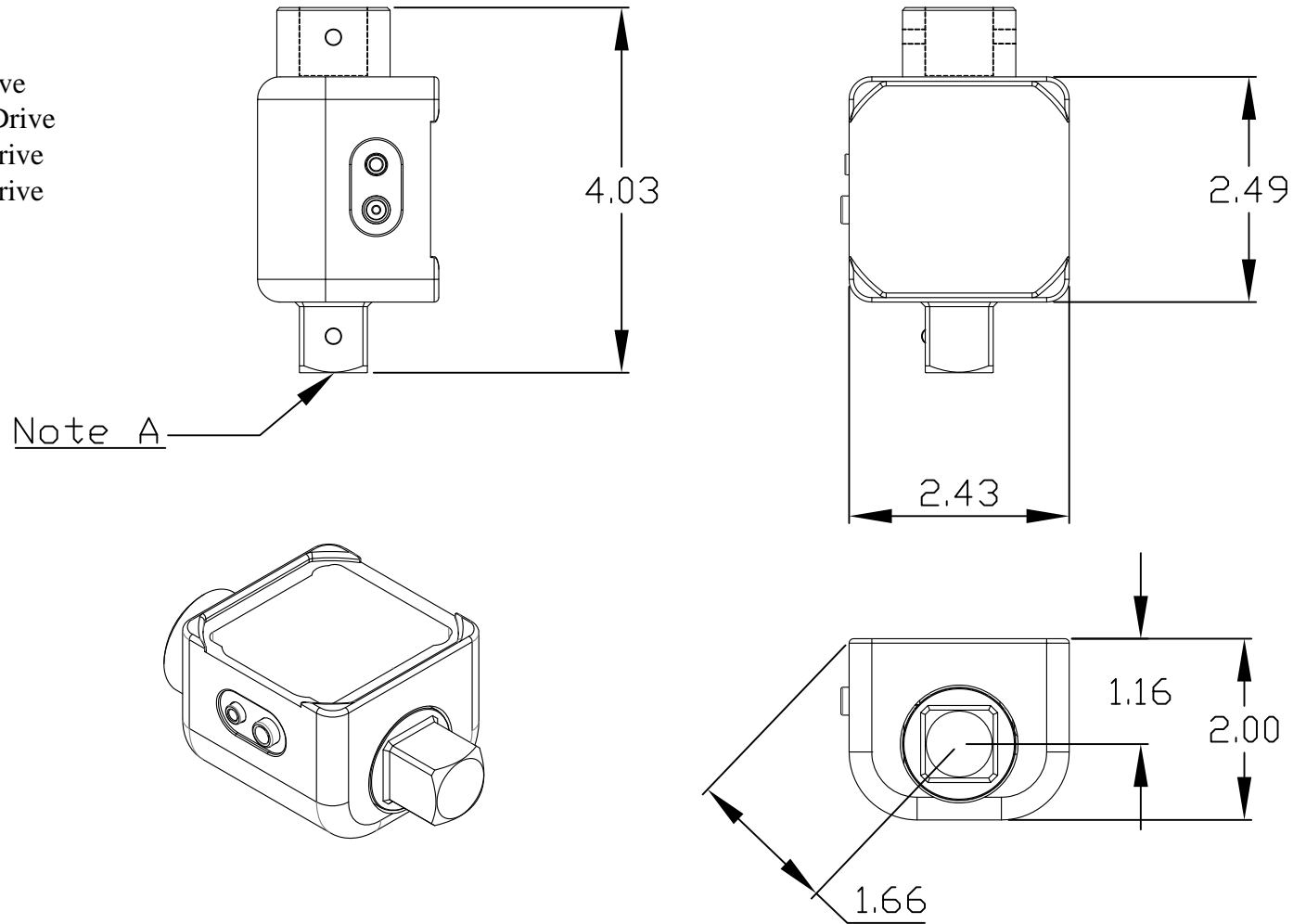


ILTT 50i - ILTT-600f Dimensions

Note A

- ILTT-50i - ILTT-150i 1/4" Square Drive
- ILTT-250i - ILTT-1000i 3/8" Square Drive
- ILTT-100f - ILTT-250f 1/2" Square Drive
- ILTT-500f - ILTT-600f 3/4" Square Drive



REV: Preliminary; non engr. release		TITLE	
REVIEWED: CV 8-16-11		DRAWING NO. A-ICI-400-A	
ASSY:	CAPACITY: 250 lb. ft.	DATE: 1-14-2010	SAVED AS: ..\Inline QC transducer housing\ ICI assy.dwg
TOLL:	MATERIAL: various	FINISH: various	