

32-1054 REV 0

The ESMH is a 50 lbF capacity horizontal test stand designed for tension, compression, and friction testing. A smooth top surface makes this tester particularly well suited for coefficient of friction testing. Other typical applications include the testing of sealed pouches, fabrics, tubing, sutures, and many other items in virtually every industry.

The tester features integrated limit switches for repetitive testing or other tests where travel limits are required. Modular design accommodates a wide variety of test sample shapes and sizes. The ESMH uses a remote control unit, distancing the operator from the test for added safety and convenience. Use this test stand with a Mark-10 force gauge and grips to create a complete testing solution.

## Specifications

Load capacity:	50 lbF [250 N]
Maximum travel:	≈ 13 in [330 mm], depending on gauge, gripping fixtures, and sample size
Speed range:	0.2 - 50 in/min [5 - 1270 mm/min]
Speed setting accuracy:	± 5%, ± 0% variation with load
Weight (w/o optional equipment):	
Test stand:	17.0 lb [7.7 kg]
Control unit:	2.7 lb [1.2 kg]
Power:	Universal input 80-240 VAC, 50/60 Hz
Included accessories:	Extension rod, small hook, medium hook, #10-32 coupler, compression plate, force gauge mounting hardware, tool kit
Warranty:	3 years (see individual statement for further details)



The ESMH is shown in a peel testing application, with Series BG digital force gauge, digital travel display, and pneumatic film & paper grips

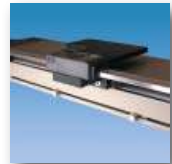
## Optional Equipment

Digital travel display ESMH001	6 in [150 mm] travel, 0.0005 in [0.01 mm] resolution, 0.001 in [0.03 mm] accuracy, SPC output for automated data collection.
Overload Protection Module 11-1042	Protects the force gauge against overloads during motorized tests, adjustable from 10 - 150% of gauge's full capacity. Compatible with force gauges with analog output.
Set Point Cable 09-1090	Stops test stand travel at programmable high and low set points for tension and compression forces. Compatible with force gauges with set points outputs.

>> Digital travel display

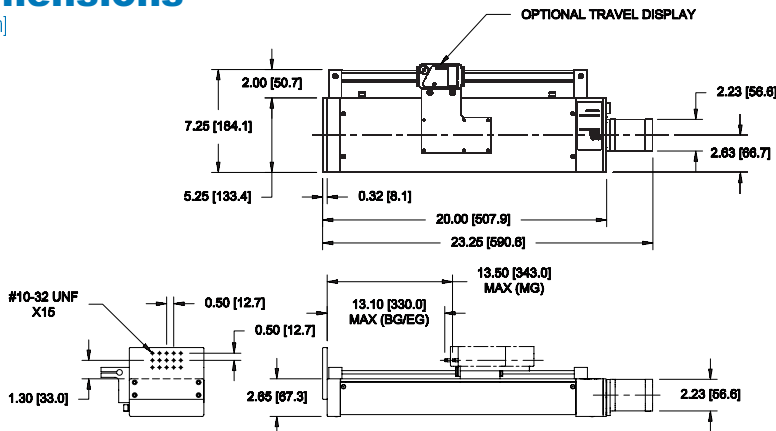


>> Adjustable limit switches



## Dimensions

in [mm]



## Ordering Information

Model No.	Description
ESMH	Motorized force measurement test stand, 110V
ESMHE	Motorized force measurement test stand, 220V
ESMH001	Digital travel display
11-1042	Overload protection module, gauge to ESMH
09-1090	Set point cable, gauge to ESMH