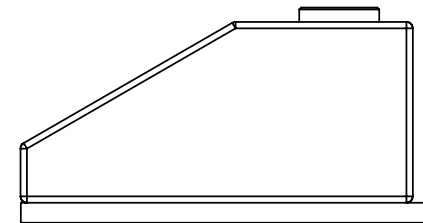
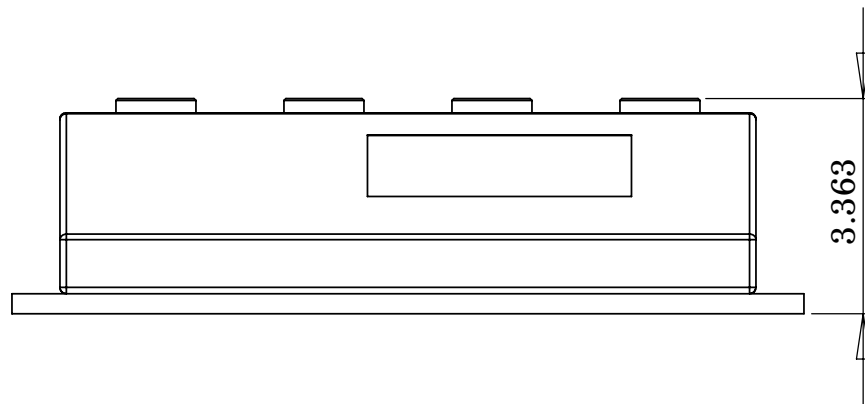
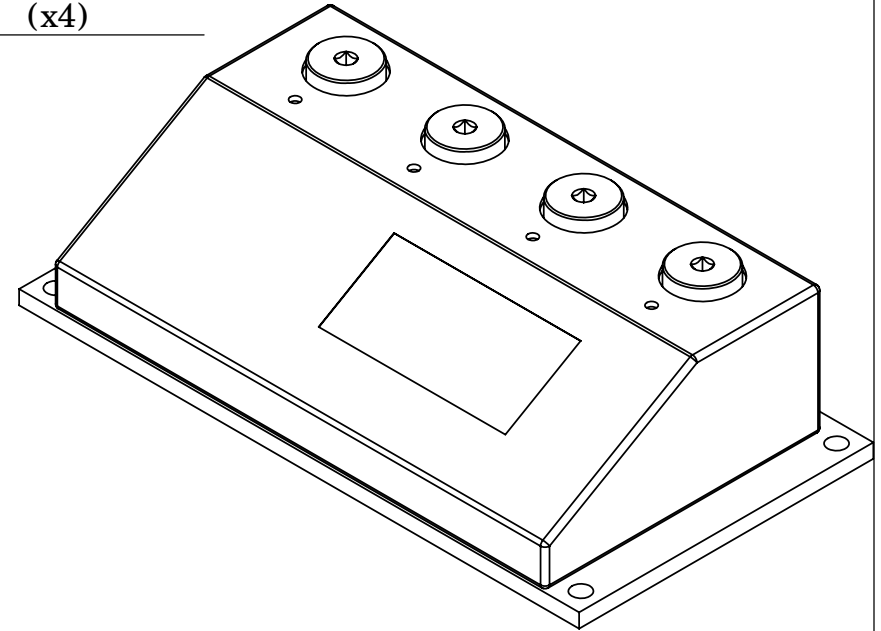


$\varnothing 0.391$   
 (for 3/8"-16 bolt)  
 (x4)



**PROPRIETARY AND CONFIDENTIAL**

THE INFORMATION CONTAINED IN THIS DRAWING IS  
 THE SOLE PROPERTY OF AFW, Inc. ANY  
 REPRODUCTION IN PART OR AS A WHOLE WITHOUT  
 THE WRITTEN PERMISSION OF AFW, Inc. IS PROHIBITED.

**UNLESS OTHERWISE SPECIFIED:**

DIMENSIONS ARE IN INCHES  
 TO TOLERANCES:  
 FRACTIONAL  $\pm .005$   
 ANGULAR: MACH  $\pm$  BEND  $\pm$   
 TWO PLACE DECIMAL  $\pm .01$   
 THREE PLACE DECIMAL  $\pm .005$

	NAME	DATE
DRAWN	TIA	11/29/07
Last Rev Date		11/29/07
ENG APPR	TIA	
MFG APPR		

TITLE	
<b>MTM 4 Mounting</b>	
COMMENTS: Preliminary design, changes may be necessary.	<b>REV 1</b>
FINISH:	<b>SHEET 1 OF 1</b>