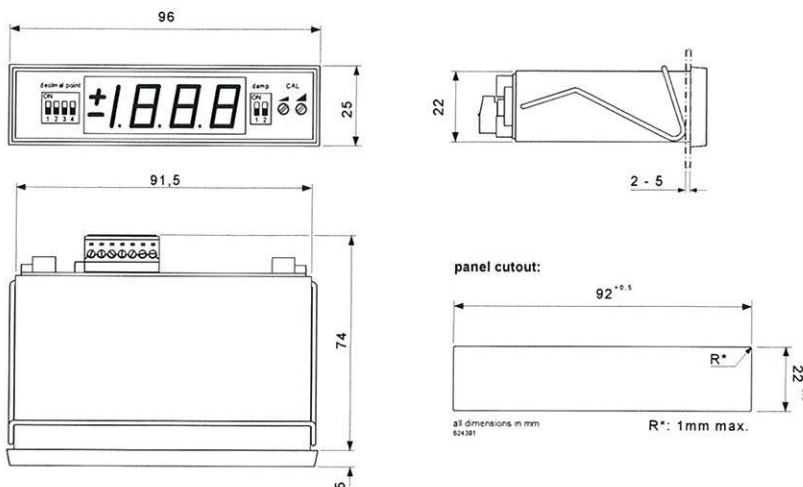


Technical data DPM 502

Designation	DPM 502	
Display	7-segment-display, 14mm LED, red	
Display range	±1999 Digit	
Measuring inputs (for alternative use)		
Input IN 10V - Input voltage range - Calibration range (@ $V_{in}=5V$) (Potentiometer rough / coarse behind filter pane)	V DC digit	0 to ± 18 28 to 1080
Input IN 5V - Input voltage range - Calibration range (@ $V_{in}=2,5V$) (Potentiometer rough / coarse behind filter pane)	V DC digit	0 to ± 9 28 - 1080
Display damping (configuration via DIP switch behind red filter pane)	sec	0,2 - 4
Additional functions (configuration via DIP switch behind red filter pane) - 3 decimal points selectable		
Supply voltage	V DC	24 (22,5 ... 24 ... 27,5)
Current consumption	mA	approx. 50mA
Dimensions		
- Front frame (DIN 43718)	mm	96 x 24
- Panel cut-out	mm	92 x 22, Tol. +0,5mm
- Mounting depth	mm	74
Weight	g	approx. 100
Housing		
- Fastening		spring clip
- Protection		housing IP50, connections IP 00
- Material		ABS, self-extinguishing
Connector		plug with screw terminals for flexible cable 0,08 to 1,5mm ²

624395



Technical execution subject to change without prior notice
 Reproduction - in whole, in part or in translation - is prohibited