



DT-700 Series

Low-Cost Digital Stroboscopes

Models

DT-721 (AC-Powered)

DT-725 (Battery-Powered)

- 40–12,500 RPM/FPM and higher using harmonics
- AC or battery-powered models
- Highly accurate speed control with drift-free operation
- Bright flash intensity with life of 100 million flashes
- Easy-to-use controls with bright LED display
- Instant double (2X) and half-rate ($\div 2$) flash selection
- Accepts input from sensor for external flash triggering
- Phase shift adjustment permits moving objects to desired position for convenient observation
- Extremely lightweight and rugged

The CHECK•LINE® DT-721 and DT-725 Digital Stroboscopes are highly stable, industrial-quality instruments for non-contact RPM measurement as well as for inspection and observation of moving parts by “freezing” or “slowing down” the action.

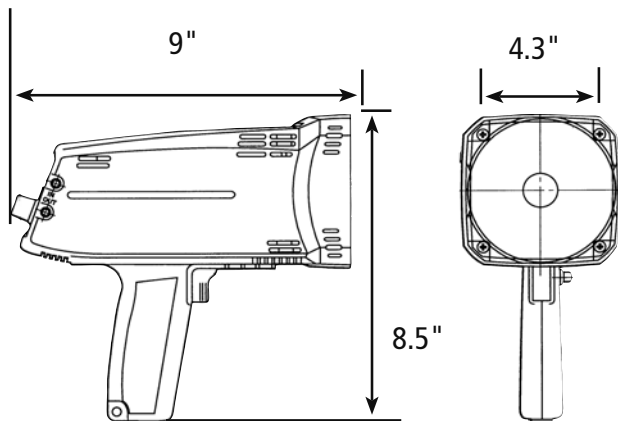
A “Kit” option is offered for both models which also includes a carrying case and spare flash tube at minimal additional cost



Optional Complete Kit

DT-700 Series

Dimensions

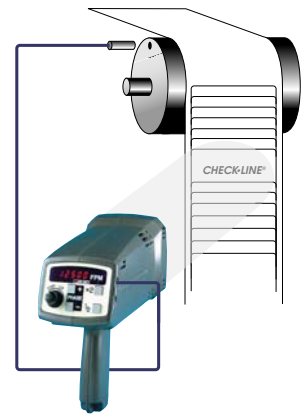


External Trigger Options

Suitable for applications requiring external control of the flash rate using a sensor or other input device. An external power source may be required.

External Trigger Input Signal

- 12–24 VDC thru a 3-wire NPN sensor (requires external power supply)
- 12 VDC thru a 2-wire proximity sensor (Leakage Current 1 mA max. Load current 8 mA min.)
- Switch or Relay Contact



Specifications

Models	DT-721 (AC-powered version) DT-725 (Battery-powered version)
Flash Range	40 – 12,500 FPM
Accuracy	± 0.02% of reading
Resolution	(0.1) 40.0 – 4,999.9 (0.2) 5,000.0 – 7,999.8 (0.5) 8,000.0 – 9,999.5 (1.0) 10,000.0 – 12,500.0
Display	5-Digit LED, 8 mm high
Flash Tube	Xenon, 10 watt
Tube Life	100 million flashes
Flash Duration	10 – 15 µs
Signal Output	NPN Open Collector, 24 VDC max. at 50 mA (150 µs typical)
Phase Shift	0 – 359° (Internal Mode)
Duty Cycle	Continuous
Battery Life	1 hour (Model 725 only)
Re-charging Time	12 hours (4 hours with optional Fast Charger)

Low Battery Indicator	Model 725 only
Operating Temperature	32 to 105 °F (0 to 40 °C)
Weight	
Model 721	1.50 lbs. (680 g)
Model 725	2.75 lbs. (1.25 Kg)
Power Requirements	
Model 721	115 VAC ± 10%, 50/60 Hz
Model 725	Internal Battery (Lead Acid Rechargeable)

Ordering Information

For countries with 230 VAC

DT-721-2, DT-721-2-KIT
DT725-2, DT-725-KIT-2

For countries with 115 VAC

DT-721, DT-721-KIT
DT725, DT-725-KIT

CHECK•LINE®—PRECISION QUALITY CONTROL INSTRUMENTS

Electromatic Equipment Co., Inc.
600 Oakland Ave.
Cedarhurst, NY 11516 —USA

Tel: (800) 645-4330 (USA & Canada)
Tel: (516) 295-4300
Fax: (516) 295-4399

Email: info@checkline.com
Website: www.checkline.com

For additional information or to place an order CALL TOLL FREE 1-800-645-4330