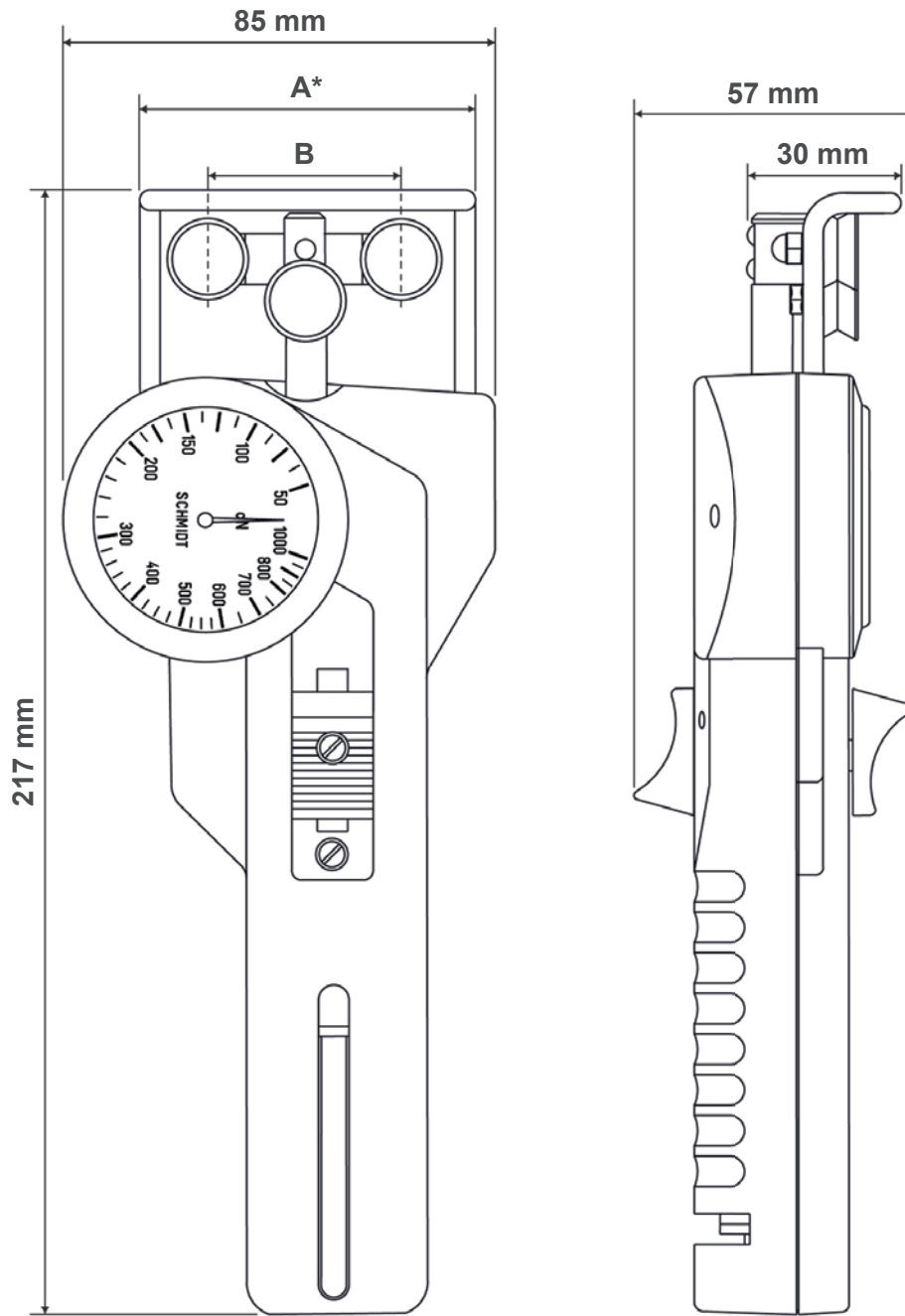


# Models DX2: 10 - 50 cN up to 2.5 - 10 daN

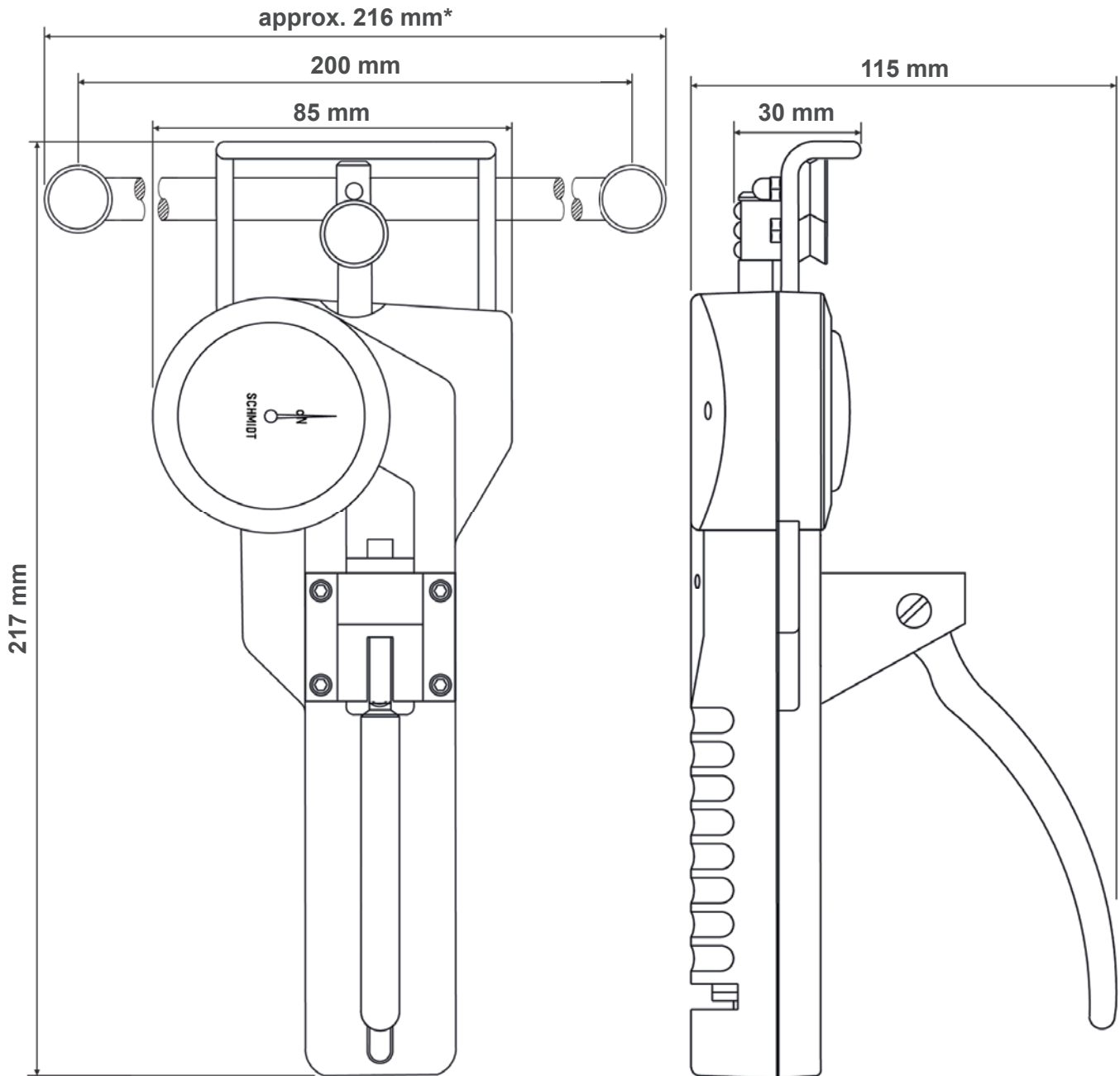


\*The measuring head width is depending on the width of filament guide or outer distance between outside guide rollers respectively.

Model	A	B
DX2-5	66 mm	38 mm
DX2-12		
DX2-20		
DX2-40		
DX2-SP/EX		

Model	A	B
DX2-200	approx. 116 mm	100 mm
DX2-500		
DX2-8000		
DX2-1K		

## Model DX2: 5 - 20 daN



\*The measuring head width is depending on the outer distance between outside guide rollers.