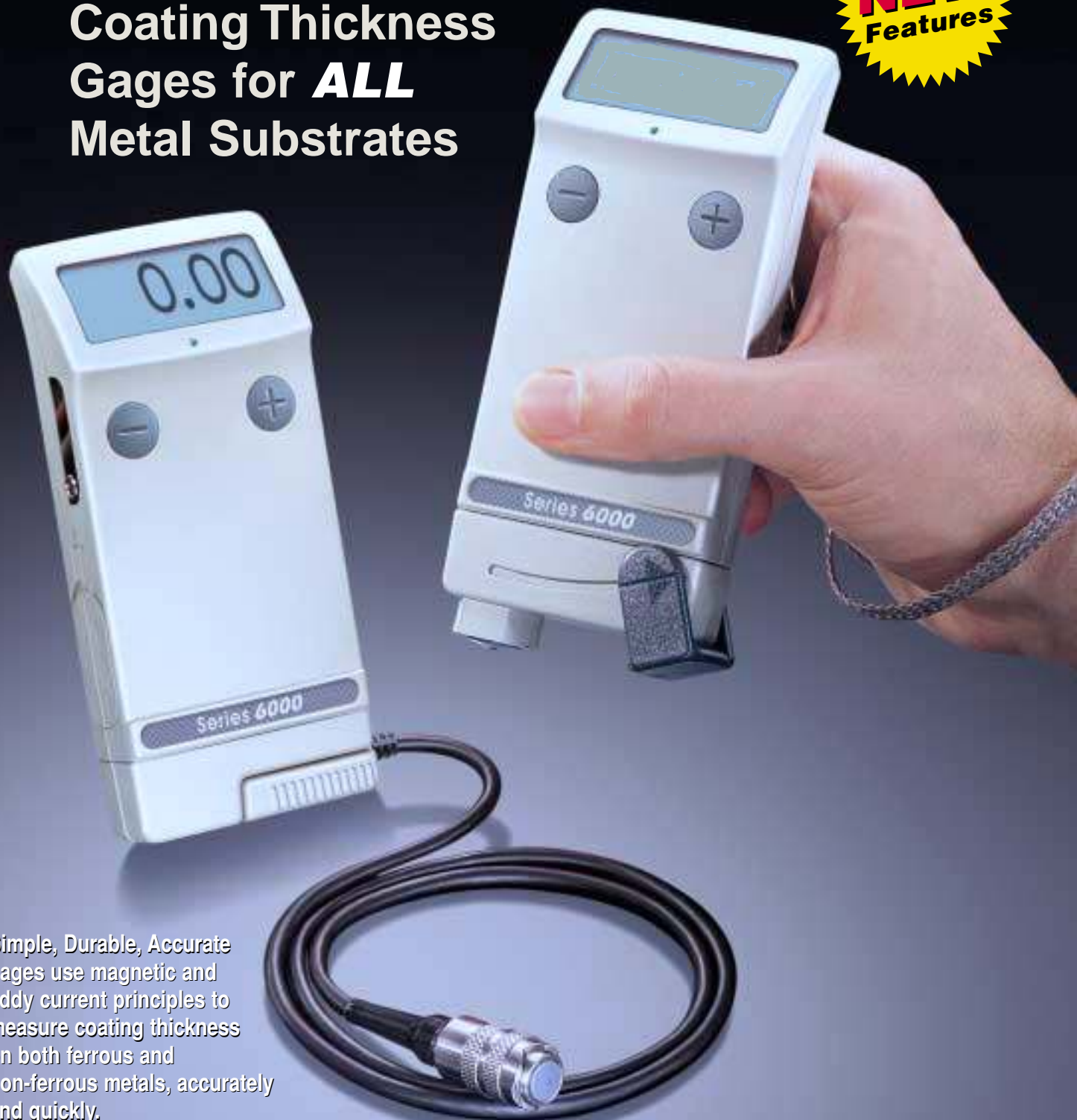


# PosiTector® 6000 Series

## Coating Thickness Gages for **ALL** Metal Substrates

**NEW**  
Features



Simple, Durable, Accurate gages use magnetic and eddy current principles to measure coating thickness on both ferrous and non-ferrous metals, accurately and quickly.

# PosiTector® 6000 Series

## All Gages Feature...

### Simplicity

**NEW** – Larger, easy-to-read LCD with menu-driven user interface

- Instant Automatic Gage Setup
- Two-button operation
- Auto power-up on Built-In Probe gages; Auto power-down on all gages
- Average ZERO feature; ideal for zeroing on rough substrates
- RESET feature instantly restores factory settings
- Instructions on back of each gage

### Durability

- Wear-resistant probe tip
- Solvent, acid, oil, water and dust resistant
- Readings unaffected by vibration
- One year warranty

### Accuracy

- Certificate of Calibration showing traceability to NIST included with every gage
- Exceptional accuracy as specified on Ordering Guide (see back page)
- Matching Calibration Standards and Procedures available for every gage
- Conforms to National and International standards

### Versatility

- Mils/Microns/mm Switchable
  - Easily adjustable to any known thickness
  - Various probe configurations (see facing page)
- NEW** – Selectable display languages including: English, Spanish, French, German, Portuguese and Italian
- Backglow display for dim or dark environments



#### Indicator Light

Ideal in a noisy environment to confirm a reading has been taken.



#### Flip Display

Unique Flip Display enables right-side-up viewing whether the gage is in your hand or laying on a work table.

Built-In Probe Style



Ideal for one-hand operation

or Separate Probe Style



Separate Probes are fully interchangeable to provide greater versatility

Larger High Contrast Full Graphics Display

### Basic (1) Models

Includes all features as shown on left

### Standard (2) Models

All Basic (1) Gage features plus...

- HiLo limits audibly & visibly alerts when measurements exceed your specified limits
- NEW** – Continually displays/updates average, standard deviation, min/max thickness and number of readings while measuring
- HI-RES mode increases displayed resolution for use on applications that require greater precision
  - User controlled "time-out" interval delays automatic power-down

**NEW** – Storage of up to 250 readings

**NEW** – Built-in infra-red port for printing to inexpensive wireless printer (see photo at right)

### Memory (3) Models

All Basic (1) and Standard (2) Gage features plus...

- Storage of 10,000 readings in up to 200 batches
  - SSPC PA-2 capability; prints the average of a set of average readings
  - Outputs readings as they are taken or stores them in memory for later download
  - Supplied with PosiSoft® Windows®-based download and charting software (see at right)
  - Supplied with RS-232 serial cable for data output to a PC, serial printer or data collector
- NEW** – Multiple stored calibration adjustments for measuring on a variety of substrate conditions
- NEW** – Batches of stored readings can be sub-grouped, viewed, updated or deleted
- NEW** – Built-in clock to date and time stamp each stored measurement

### Example of Memory (3) Display in Batch Mode (Shown Actual Size)

Measurements saved in up to 200 groups

Displays ferrous or non-ferrous substrate



Multiple user-adjusted calibrations

Real-time statistics displayed simultaneously

Large, easy-to-read measurement characters

## Separate Probes

- All Separate probes are fully interchangeable
- Each Separate probe comes with a Certificate of Calibration traceable to NIST
- Heavy-duty, gold-plated, locking connector for industrial environments
- Quality, high-flex cables resist breakage
- **Extended cables** available (up to 250 ft/ 75 m) for remote measuring
- All Regular Probes are suitable for **underwater** use
- All constant-pressure Probes feature a "V" groove and chamfered sides; ideal when measuring on OD's and ID's
- Microprobes (Ferrous or Non-Ferrous), 0°, 45° & 90° configurations for small and hard-to-reach areas
- Special application probes available to measure a variety of unique applications (see *Ordering Guide on back page*)

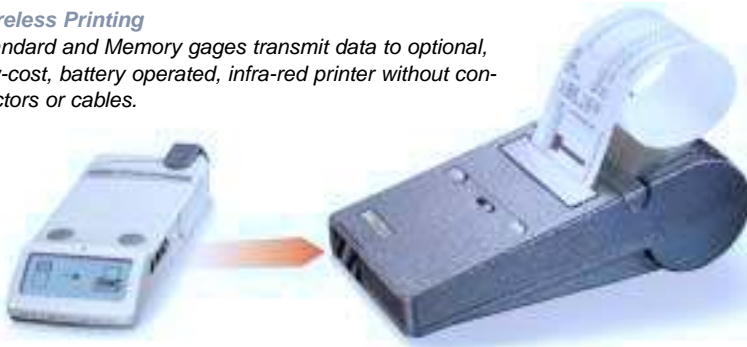
*Various Probes serve a wide variety of applications*



**Quick Release Adapter:**  
Converts 0° MicroProbe to a constant pressure probe for alignment on small, flat or curved parts.

## Wireless Printing

Standard and Memory gages transmit data to optional, low-cost, battery operated, infra-red printer without connectors or cables.



## PosiSoft® for Windows®

Powerful and easy-to-use. Included at no extra charge with **Memory (3)** models.

- Easily collects readings from the gage
- Allows entry of notes and annotations
- Prints and displays basic Charts and Histograms
- Saves readings in your computer using common formats such as ASCII
- Ideal for monitoring and analyzing coating thickness applications
- Multi-language support



## Unique Combination FN Probes

- ONE gage measures on ALL metals using only ONE probe!
- **Automatic** Ferrous/Non-Ferrous substrate recognition
- Reduces confusion and possible operator error
- Measures galvanizing on steel, anodizing on aluminum, paint and powder on any metal, chrome on steel and more!
- Unique "N-Lock" feature for measuring over slightly magnetic substrates; eg. clear-coat on gold over nickel-plated brass
- Available in both Built-In and Separate Probe styles
- The ideal choice for *Powder Coaters*

## Versatility...



*From thin plating in small diameters...*



*...to thick linings in large diameters and anything in between.*



*Probe/Part Fixture... ensures repeatable positioning for each part*



**Dual Purpose Probe Cover**  
Built-in probe styles feature protective probe cover with V-notch that slides open to provide additional stability while measuring.

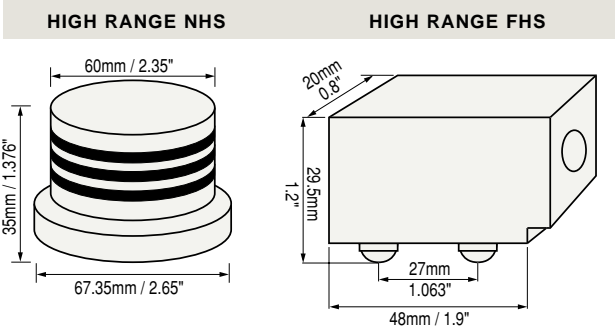
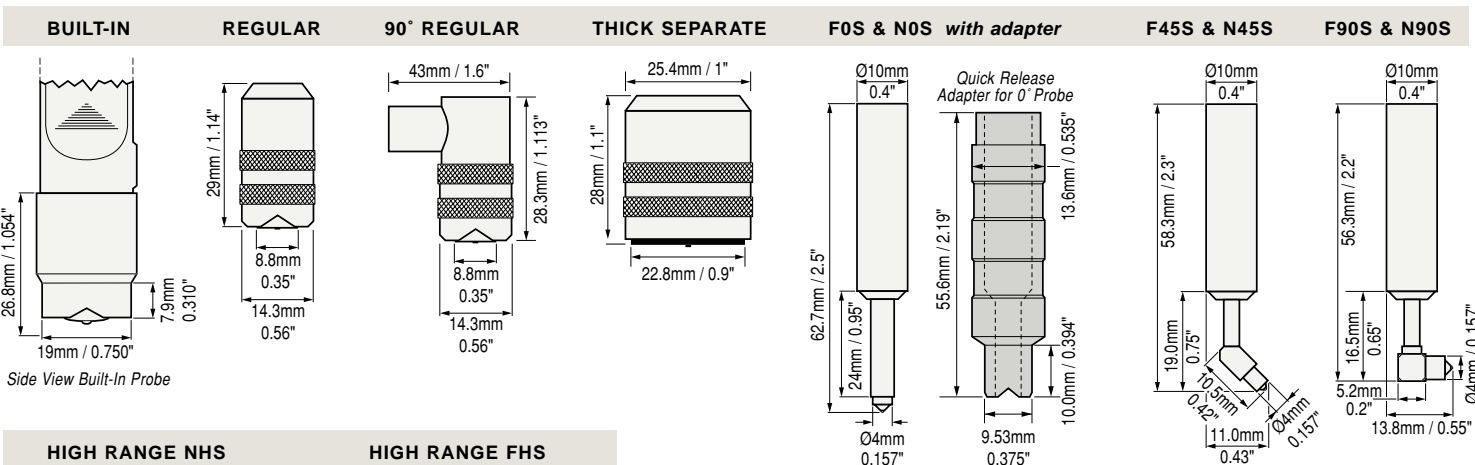
# Ordering Guide

Gage Description	Our most popular built-in and Regular separate probe models		90° Regular probe for tight spots	Flat-tipped Regular probe for soft surfaces	Ideal for anodized aluminum	Microprobes* – Our smallest probes for small parts or hard-to-reach areas			Built-in and separate probes* for measuring thick epoxy, rubber, fireproofing and more		High-range probes* for very thick protective coatings	
<b>Non-Magnetic Coatings over FERROUS Metals (Steel &amp; Cast Iron)</b>	F1	FS1	FRS1	SPFS1		F0S1	F45S1	F90S1	FT1	FTS1	FHS1	
	F2	FS2	FRS2	SPFS2		F0S2	F45S2	F90S2	FT2	FTS2	FHS2	
	F3	FS3	FRS3	SPFS3		F0S3	F45S3	F90S3	FT3	FTS3	FHS3	
<b>Non-Conductive Coatings on NON-FERROUS Metals (Aluminum, Copper, etc.)</b>	N1	NS1	NRS1		NAS1	N0S1	N45S1	N90S1		NTS1		NHS1
	N2	NS2	NRS2		NAS2	N0S2	N45S2	N90S2		NTS2		NHS2
	N3	NS3	NRS3		NAS3	N0S3	N45S3	N90S3		NTS3		NHS3
<b>Combination ALL METALS</b>	FN1	FNS1	FNRS1							FNTS1		
	FN2	FNS2	FNRS2							FNTS2		
	FN3	FNS3	FNRS3							FNTS3		
<b>Range</b>	0 - 60 mils 0 - 1500 µm				0 - 25 mils 0 - 625 µm			0 - 250 mils 0 - 6 mm		0 - 750 mils 0 - 20 mm		
<b>Accuracy**</b>	±(0.05 mils + 1%) 0 - 2 mils ±(0.1 mils + 1%) > 2 mils ±(1 µm + 1%) 0 - 50 µm ±(2 µm + 1%) > 50 µm				±(0.01 mils + 1%) 0 - 4 mils ±(0.1 mils + 3%) > 4 mils ±(0.5 µm + 1%) 0 - 100 µm ±(2 µm + 3%) > 100 µm			±(0.5 mils + 1%) 0 - 100 mils ±(0.5 mils + 3%) > 100 mils ±(0.01 mm + 1%) 0 - 2.5 mm ±(0.01 mm + 3%) > 2.5 mm		±(1 mil + 1%) 0 - 250 mils ±(1 mil + 5%) > 250 mils ±(0.02 mm + 1%) 0 - 6 mm ±(0.02 mm + 5%) > 6 mm		
<b>Matching DeFelsko Calibration Standards</b>	CAL-S1 CAL-A1				CAL-S2 CAL-A2			CAL-P1		CAL-P2		

\*These probes feature 2-point optimization.

\*\*Accuracies are stated as a fixed value plus a percentage of the gage's actual reading

## Probe Details



ALL GAGES COME COMPLETE with precision plastic shims, leather pouch with belt clip, 2 AA batteries, instructions, wrist strap (Built-In versions only), Certificate of Calibration (calibrations performed using standards traceable to NIST), one year warranty.

MEMORY (3) GAGES also include PosiSoft® Windows®-based Analysis Software, RS-232 serial cable and carrying case.

EXTENDED CABLES available (up to 250 ft/75 m) for underwater or remote measuring. Specify when ordering.

SIZE: 5.8" x 2.4" x 1" (147 x 61 x 25 mm) • Weight: 6 oz. (170 g) without batteries

Conforms to ISO 2178/2360/2808, prEN ISO 19840, ASTM B499/D1186/D1400, BS3900 Part C5, SSPC-PA2 and others

# CHECK•LINE® – PRECISION QUALITY CONTROL INSTRUMENTS

**Electromatic Equipment Co., Inc.**  
600 Oakland Ave.  
Cedarhurst, N Y 11516 —USA

**Tel:** (800) 645-4330 (USA & Canada)  
**Tel:** (516) 295-4300  
**Fax:** (516) 295-4399

**Email:** info@checkline.com  
**Website:** www.checkline.com

**FOR ADDITIONAL INFORMATION OR TO PLACE AN ORDER CALL TOLL FREE 1-800-645-4330**