



Digital TENSION METERS

DTMB

8 Tension Ranges

0.1–200.0 g up to 2.00–20.00 Kg

The new CHECK•LINE DTMB Digital Tension Meter uses precision strain gauge sensing to provide the highest accuracy & repeatability.

Its rugged, die-cast aluminum housing and surface-mount electronics make it especially resistant to damage, even in the toughest production environments.



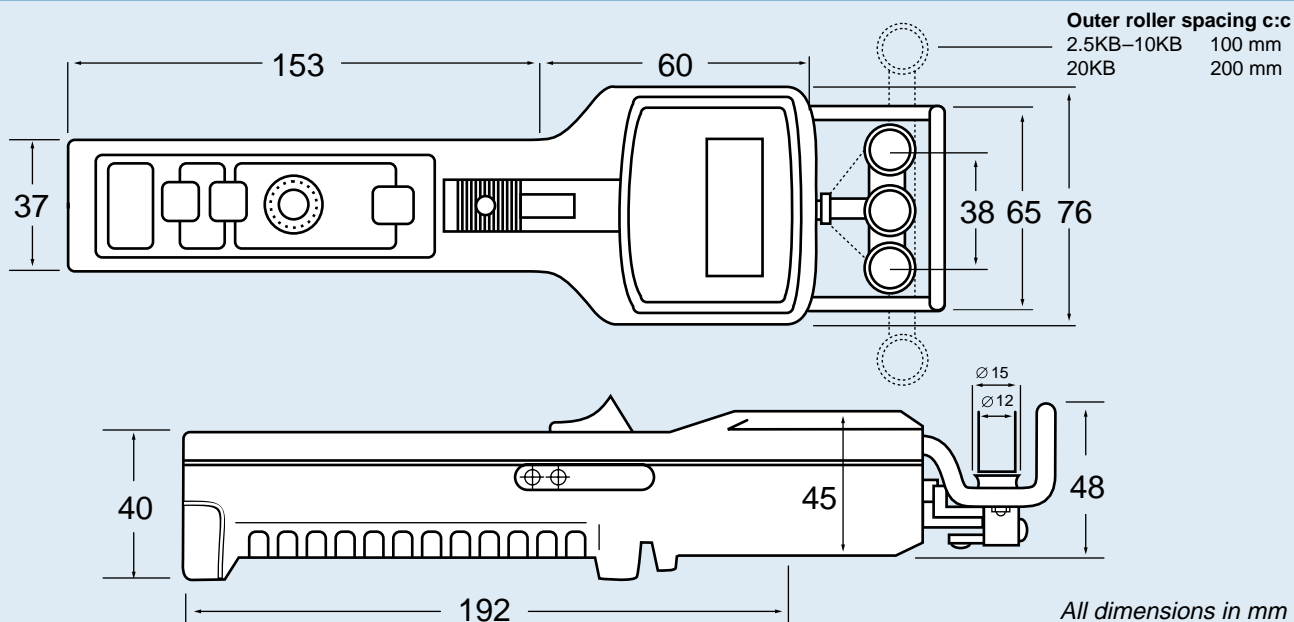
Model DTMB-1K

FEATURES

- Displays *last, maximum, minimum & peak* tension values
- Tensions are sampled at 62.5 times/sec & averaged over a user-selected interval of 0.5, 1, 2 or 4 seconds
- Thickness Compensator and Field Adjustment permit fine tuning of the calibration for the highest possible accuracy on different process materials
- Hard-coated, V-grooved aluminum rollers rated for speeds up to 2000 m/min or, optionally, 5000 m/min
- Calibration is available in grams or pounds
- Powered by 4 AA batteries
- Optional NIST Calibration Certification

DTMB

Dimensions



Model Data

Model	DTMB-200	DTMB-500	DTMB-1K	DTMB-2K	DTMB- 2.5KB	DTMB-5KB	DTMB-10KB	DTMB-20KB
Tension Range (grams)	0.1-200.0	0.1-500.0	50-1000	200-2000	250-2500	500-5000	1.00-10.00 Kg	2.00-20.00 Kg
Accuracy	± 1.0% or better				± 1.5% or better			
Outer Roller Distance (c:c)	38 mm	38 mm	38 mm	38 mm	100 mm	100 mm	100 mm	200 mm

Specifications

Measuring Principle	Strain gauge	Auto Power Off	After 2 minutes of non-use
Measuring Frequency	16 msec (62.5 samples/sec)	Roller Material (standard) (optional)	Hard-coated Aluminum Hardened Steel (ST) Ceramic (CE) Plastic (PL)
Deflection of Sensing Roller (max.)	0.2 mm	Maximum Speed (standard) (optional)	2000 m/min 5000 m/min
Overload Capacity	200% of Full Scale	Housing	Die-cast Aluminum
Temperature Coefficient	<u>Zero:</u> less than ± 0.3% FS/°C <u>Span:</u> less than ± 0.01% FS/°C	Dimensions	2.95" W x 10.83" H x 1.77" D (75 x 275 x 45 mm)
Display	4-Digit LCD, 12 mm high	Weight (approximate)	1.43 lbs. (650 g)
Display Update Rate	0.5, 1.0, 2.0 or 4.0 seconds, dip-switch selectable	Operating Temperature	32 to 132 °F (0 to 45 °C)
Memory System	Last, maximum, minimum and peak values	Accessories Included	4 AA batteries and operating instruction guide, all in a fitted, hard-plastic carrying case
Overrange Indicator	Value will blink on/off, then "FFFF"	Warranty	One year
Field Calibration Adjustment	± 7 steps, 1.5% per step		
Battery Type	Four (4) 1.5 V AA (included)		
Battery Life	20 hours, continuous use		

Specifications subject to change without notice.

ELECTROMATIC

EQUIPMENT CO., INC.

600 Oakland Ave., Cedarhurst, NY 11516-U.S.A.
 TEL 516-295-4300 • FAX 516-295-4399

**For additional information
 or to place an order
 CALL TOLL FREE
 1-800-645-4330**