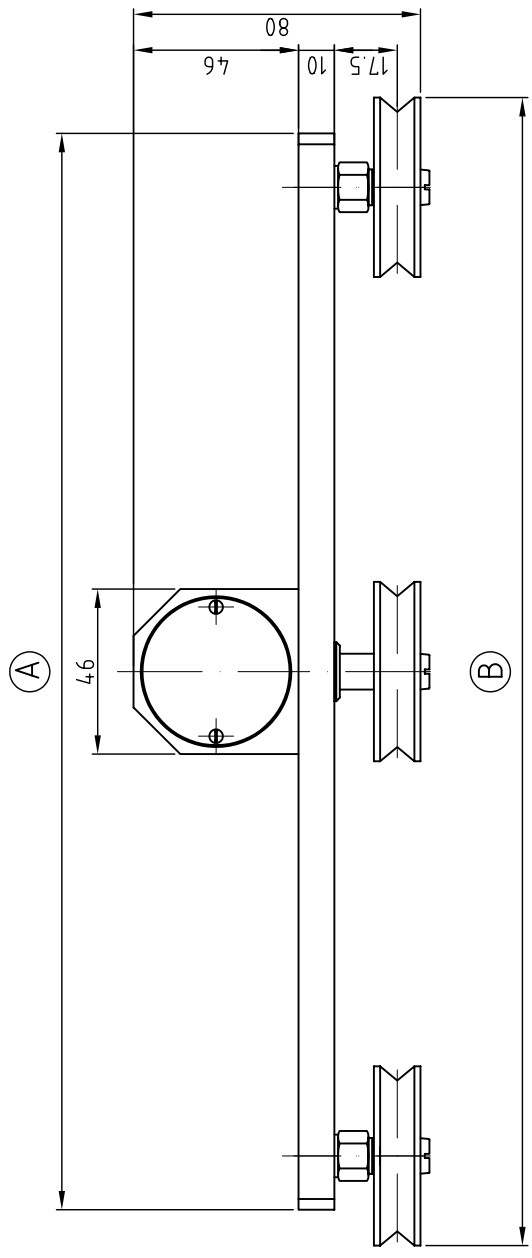


A	B	C	D	E	F	Spreading		
						1	10	20
200	220	134	1	10	20			
250	270	134	1	10	20			
300	320	133	1	8	16			
350	370	132	1	7	14			
400	420	131	1	6	12			
500	520	130	1	5	10			



Tensile force sensor Tritens
 Series 136.3-S6 for materials up to Ø6mm
 Dwg. No. K601333
 Protection mark as per DIN34

Measurement range depending on material path

ⓓ ⓔ ⓕ ⓕ Material path/spreading of the nominal sensor measurement value (F_N)

1 10 20 Example: F_N ≙ 10daN ⇒ Measurement ranges 10daN/1daN/0.5daN